

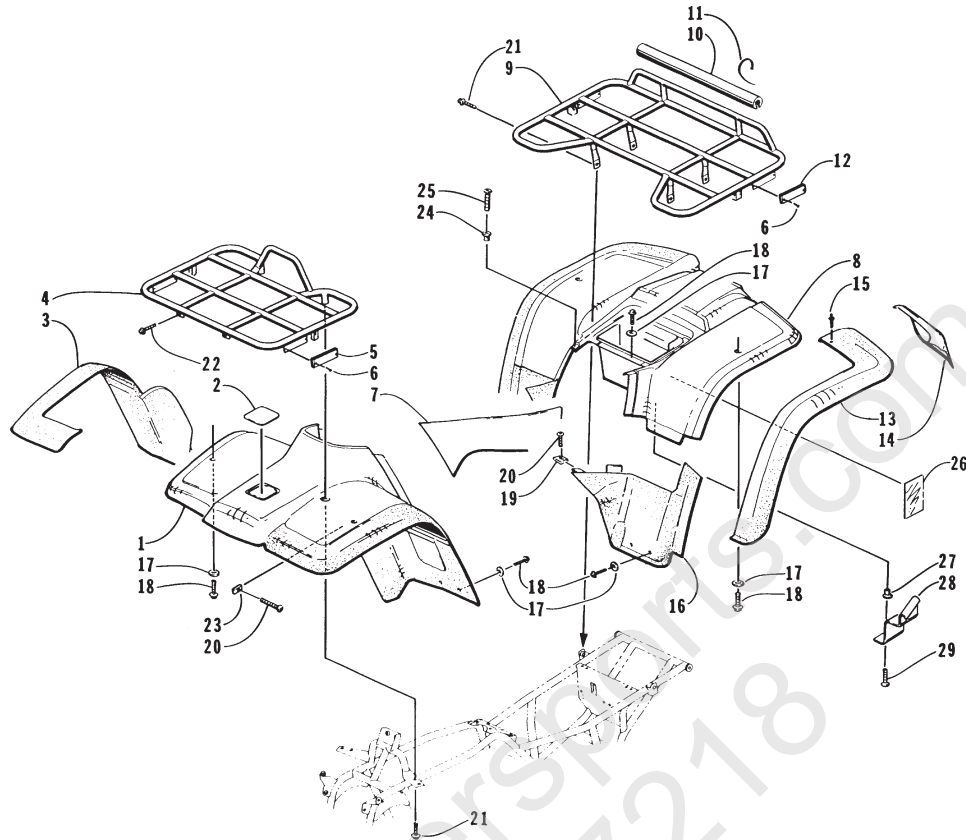
# BEARCAT ATV 4x4

(Model No. 97A4A & 97A4B)

## TABLE OF CONTENTS

AIR INTAKE ASSEMBLY . . . . .	15	B4
BODY PANEL ASSEMBLY . . . . .	1	A4
CAM CHAIN ASSEMBLY . . . . .	30	C5
CAM SHAFT VALVE ASSEMBLY . . . . .	29	C4
CARBURETOR . . . . .	21	B10
CLUTCH ASSEMBLY . . . . .	34	C9
CONTROL SWITCH HOUSING ASSEMBLY . . . . .	46	D7
COOLING ASSEMBLY . . . . .	18	B7
CRANK BALANCER ASSEMBLY . . . . .	28	C3
CRANKCASE ASSEMBLY . . . . .	24	B13
CRANKCASE COVER ASSEMBLY . . . . .	25	B14
CRANKSHAFT ASSEMBLY . . . . .	26	C1
CYLINDER ASSEMBLY . . . . .	23	B12
CYLINDER HEAD ASSEMBLY . . . . .	22	B11
DECALS . . . . .	3	A6
ELECTRICAL COMPONENTS ASSEMBLY . . . . .	45	D6
ENGINE AND EXHAUST . . . . .	17	B6
FRAME AND RELATED PARTS . . . . .	4	A7
FRONT BEVEL GEAR ASSEMBLY . . . . .	41	D2
FRONT SUSPENSION ASSEMBLY . . . . .	7	A10
FUEL TANK ASSEMBLY . . . . .	13	B2
GEAR SHIFTING ASSEMBLY . . . . .	39	C14
HI/LOW SHIFTER ASSEMBLY . . . . .	40	D1
HYDRAULIC BRAKE ASSEMBLY . . . . .	12	B1
HYDRAULIC BRAKE CONTROL ASSEMBLY . . . . .	11	A14
MAGNETO ASSEMBLY . . . . .	44	D5
MECHANICAL BRAKE ASSEMBLY . . . . .	10	A13
OIL FILTER/PUMP ASSEMBLY . . . . .	32	C7
REAR AXLE ASSEMBLY . . . . .	19	B8
REAR BEVEL GEAR ASSEMBLY . . . . .	42	D3
REAR SUSPENSION ASSEMBLY . . . . .	8	A11
RECOIL STARTER ASSEMBLY . . . . .	31	C6
RELATED ITEMS . . . . .	Back Cover	D9
REVERSE SHIFT LEVER ASSEMBLY . . . . .	14	B3
SEAT ASSEMBLY . . . . .	5	A8
SECONDARY DRIVE ASSEMBLY . . . . .	38	C13
SECONDARY TRANSMISSION ASSEMBLY . . . . .	36	C11
SPEEDOMETER DRIVE ASSEMBLY . . . . .	37	C12
STARTER CLUTCH ASSEMBLY . . . . .	27	C2
STARTER MOTOR ASSEMBLY . . . . .	43	D4
STEERING ASSEMBLY . . . . .	6	A9
STORAGE BOX AND BATTERY ASSEMBLY . . . . .	16	B5
TAILLIGHT ASSEMBLY . . . . .	2	A5
THROTTLE CASE ASSEMBLY . . . . .	47	D8
TRANSMISSION ASSEMBLY . . . . .	35	C10
WATER PUMP ASSEMBLY . . . . .	33	C8
WHEEL AND TIRE ASSEMBLY . . . . .	9	A12
WIRING HARNESS ASSEMBLY . . . . .	20	B9

**NOTE:** The illustrations used in this Parts Manual are for reference to replacement part numbers only and are not to be used for assembly. For assembly procedures, use Arctic Cat Service Manuals.  
Underlined part numbers are new for the 1997 model year.

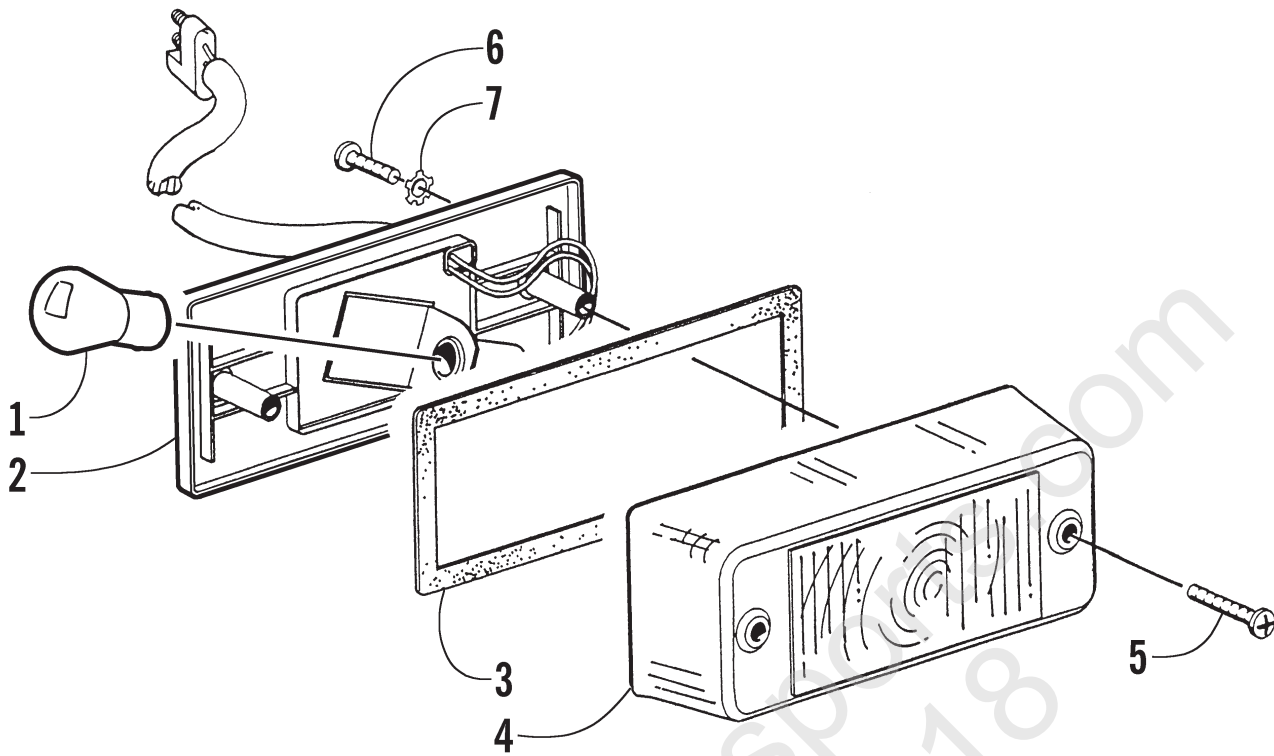


## BODY PANEL ASSEMBLY

(\*4x4 Models Serial # . . .08001 and above)

0733-362

Ref.	Part No.	Qty.	Description	Ref.	Part No.	Qty.	Description
1	0506-156	1	Panel, Fender - Front	15	0423-046	54	Rivet, Plastic
2	0506-179	1	Cover, Radiator Access	16	0506-160	1	Fender Extension - Rear Right
3	0506-154	1	Flare - Front Right	0506-161	1	Fender Extension - Rear Left	
	0506-155	1	Flare - Front Left	17	0423-010	13	Washer, Body
4	0506-104	1	Rack - Front	18	8474-616	13	Screw, Machine
5	0606-526	2	Yellow Reflector	19	0423-060	2	Clip, Tinerman
6	0623-269	8	Clip, Retaining	20	0423-068	2	Screw, Self-Tapping
7	0506-164	1	Panel, Side - Right	21	8409-020	6	Screw, Cap
	0506-165	1	Panel, Side - Left	22	8408-812	2	Screw, Cap
8	0506-157	1	Panel, Fender - Rear	23	0423-031	2	Nut, Speed
9	0506-103	1	Rack - Rear	24	0123-010	2	Nut, Expansion
10	0406-269	1	Wrap, Tube - Rear Rack	25	0423-068	2	Screw, Machine
11	0123-788	7	Tie, Cable	26	0706-990	AR	Tape, Foil
12	0606-029	2	Red Reflector	27	0123-010	1	Nut, Expansion*
13	0406-082	1	Flare - Rear Right	28	0406-297	1	Plate, Heat - Rear Panel*
	0406-083	1	Flare - Rear Left	29	0123-549	1	Screw, Machine*
14	0406-086	1	Mud Flap - Right				
	0406-087	1	Mud Flap - Left				

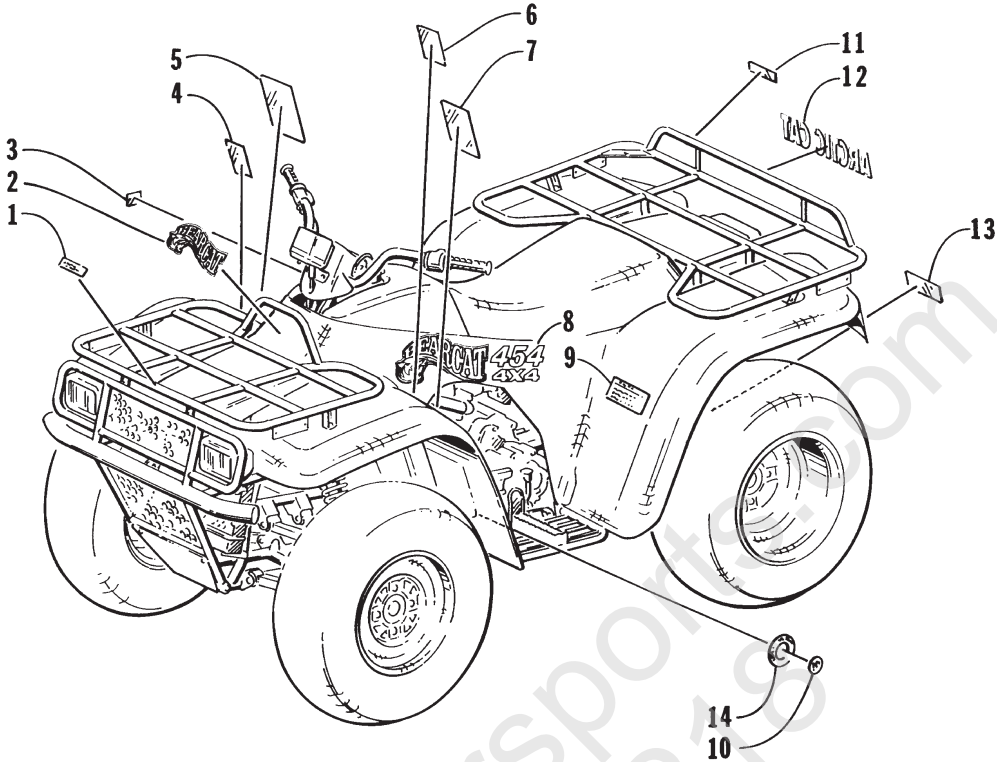


## TAILLIGHT ASSEMBLY

(Complete Taillight Assembly p/n 0409-002)

0732-336

Ref.	Part No.	Qty.	Description	Ref.	Part No.	Qty.	Description
1	0109-460	1	Bulb, Stop Taillight	5	0409-010	2	Screw, Machine
2	0409-011	1	Taillight w/Socket Assembly	6	0623-574	2	Screw, Self-Tapping
3	0409-012	1	Gasket, Taillight	7	8053-212	2	Washer, Lock
4	0409-007	1	Lens, Taillight				

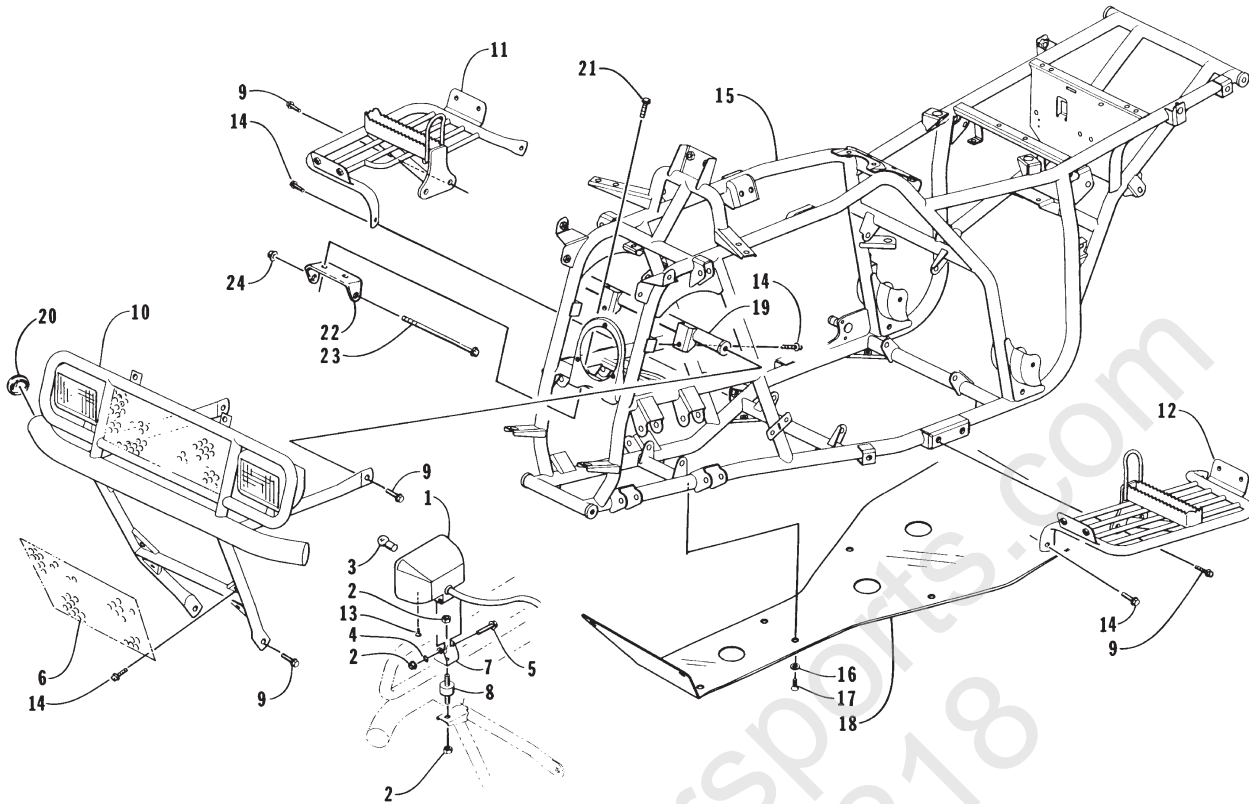


## DECALS

0732-340

Ref.	Part No.	Qty.	Description	Ref.	Part No.	Qty.	Description
1	0411-006	1	Decal, Warning - Front Rack Load	9	0411-012	1	Decal, Warning - Tire Pressure
2	0411-018	1	Decal, "Bearcat" - Front	10	0411-003	1	Decal, Shift Pattern
3	0411-011	1	Decal, Caution - Electrical	11	0411-007	1	Decal, Warning - Rear Rack Load
4	0411-045	1	Decal, Warning - Turn	12	0411-043	1	Decal, "Arctic Cat"
5	0411-008	1	Decal, Warning Reverse/Pre Ride	13	0411-013	1	Decal, Warning - Towing
6	0411-040	1	Decal, Warning - Age	14	0411-009	1	Decal, Hi/Low Range
7	0411-010	1	Decal, Warning - General				
8	0411-014	1	Decal, "Bearcat" - Side Right				
	0411-015	1	Decal, "Bearcat" - Side Left				

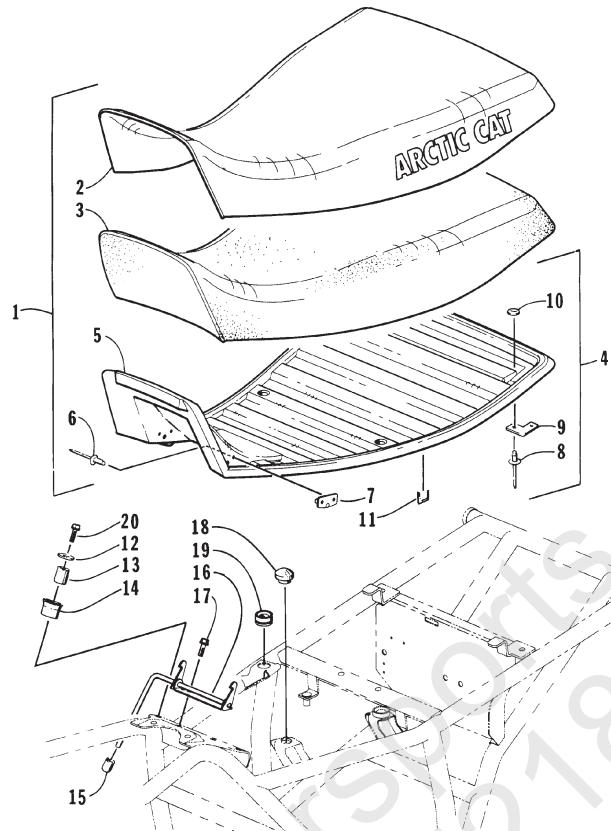
# BEARCAT ATV 4X4



## FRAME AND RELATED PARTS

0732-335

Ref.	Part No.	Qty.	Description	Ref.	Part No.	Qty.	Description
1	0409-001	2	Headlight	13	0123-590	2	Screw, Machine
2	8424-802	6	Nut, Lock	14	8408-816	10	Screw, Cap
3	0409-005	2	Bulb, Headlight	15	0506-133	1	Frame
4	8053-242	2	Washer, Lock	16	0423-010	10	Washer, Shoulder
5	8408-850	2	Screw, Cap	17	8474-616	10	Screw, Machine
6	0406-175	1	Screen, Bumper	18	0406-095	1	Panel, Belly
7	0406-261	2	Yoke, Headlight	19	0506-079	1	Tube, Cross
8	0406-262	2	Mount, Headlight	20	0406-130	2	Cap, Bumper
9	8409-020	8	Screw, Cap	21	8408-820	2	Screw, Cap
10	0506-075	1	Bumper - Front	22	0506-149	1	Bracket, Front Gear Case
11	0506-066	1	Footrest - Right	23	3423-010	1	Screw, Cap
12	0506-067	1	Footrest - Left	24	8428-002	1	Nut, Lock

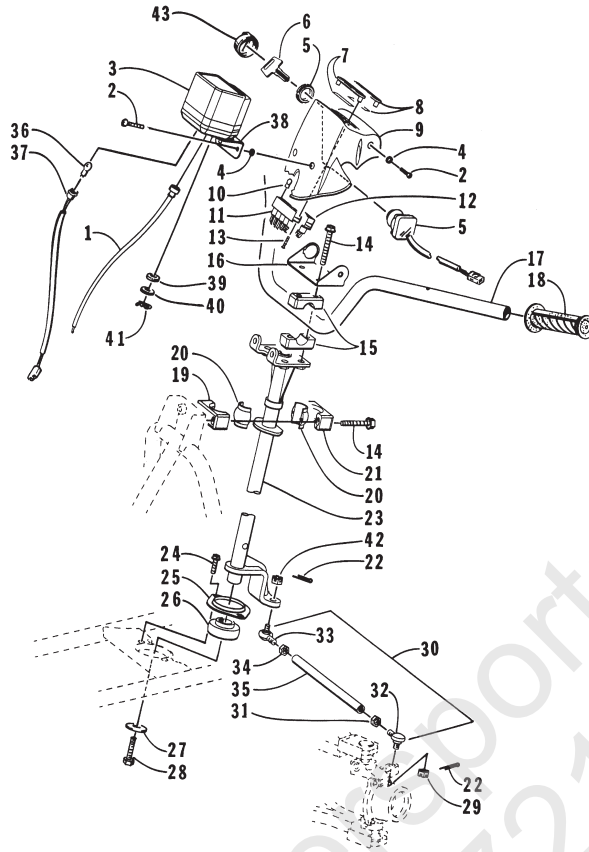


## SEAT ASSEMBLY

0732-342

Ref.	Part No.	Qty.	Description	Ref.	Part No.	Qty.	Description
1	5990-012	1	Seat - Assembly (inc. 2-11)	11	0624-263	AR	● Staple
2	0506-054	1	● Cover, Seat	12	8050-217	2	Washer
3	0506-056	1	● Foam, Seat	13	0406-199	2	Collar, Front Seat Base
4	0506-167	1	● Base, Seat - Assembly (inc. 5-10)	14	0406-171	2	Bumper, Seat Base - Front
5	0506-166	1	● Base, Seat	15	0623-404	1	Cap, Protector
6	8061-628	4	● Rivet	16	0406-103	1	Latch, Seat - Assembly
7	0506-147	1	● Pin, Seat Base - Front	17	8477-616	2	Screw, Machine
8	8060-630	4	● Rivet	18	0406-270	2	Bumper, Seat Base - Center
9	0406-268	2	● Plate, Seat Retainer	19	0406-172	2	Bumper, Seat Base - Center
10	8050-152	4	● Washer	20	8408-620	2	Screw, Cap

**BEARCAT ATV 4X4**

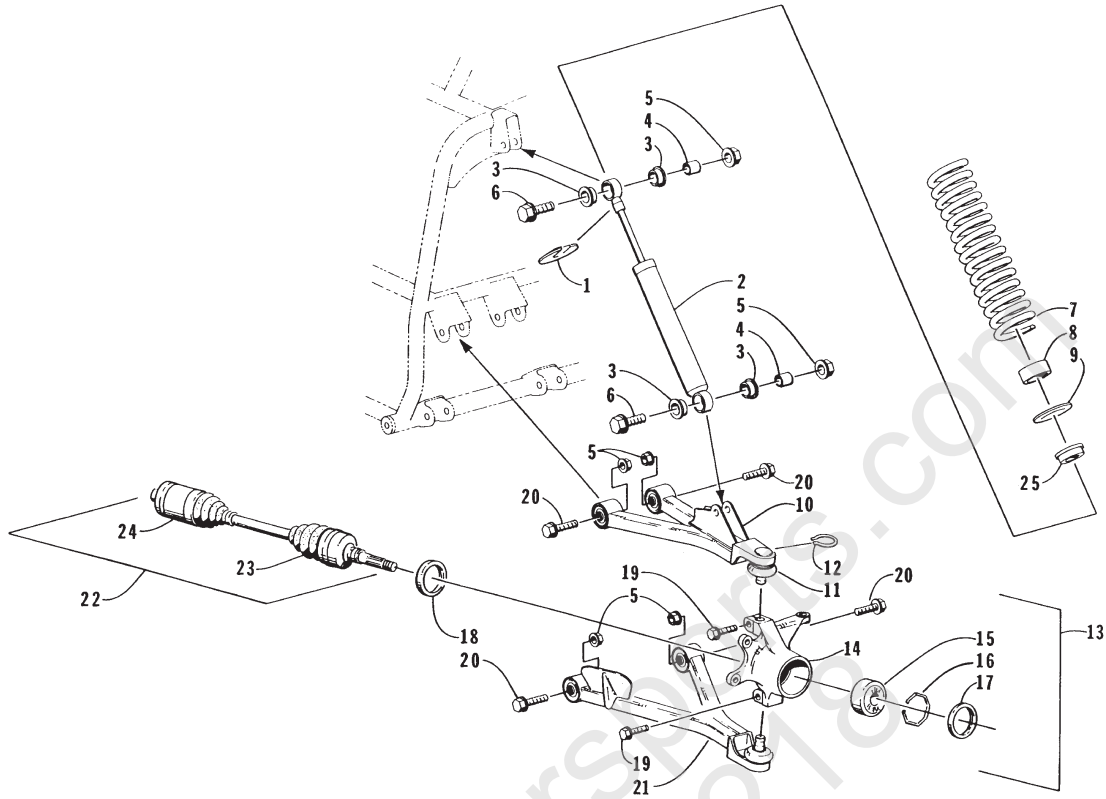


**STEERING ASSEMBLY**

(\*4x4 Models Serial # . . .08001 and above)

0733-363

Ref.	Part No.	Qty.	Description	Ref.	Part No.	Qty.	Description
1	0487-005	1	Cable, Speedometer	23	0505-012	1	Post, Steering
2	8477-616	3	Screw, Machine	24	8408-816	2	Screw, Cap
3	0420-003	1	Speedometer (inc. 36-41)	25	0602-233	1	Flange, Bearing
4	0423-052	3	Collar, Body	26	0107-223	1	Bearing - w/o Lock Collar
5	3430-013	1	Switch, Ignition - Assembly (inc. 6)	27	0423-073	1	Washer
6	3409-007	1	• Key, Ignition - Blank (C Series)	28	8409-020	1	Screw, Cap
	3409-011	1	• Key, Ignition - Blank (D Series)	29	0423-014	2	Nut, Hex Castle
7	0420-011	1	Bezel/Lens, Warning - Assembly	30	0505-001	1	Tie Rod, Assembly (inc. 31-35)
8	0420-012	1	Bezel/Lens, Shifting - Assembly	31	8420-002	2	• Nut
9	0405-019	1	Instrument Pod	32	0405-011	2	• Ball Joint, Tie Rod - Left
10	0420-013	9	Bulb, Light Bar	33	0405-010	2	• Ball Joint, Tie Rod - Right
11	0420-001	1	Light, Warning - Assembly	34	0423-013	2	• Nut
12	0420-004	1	Light, Shift Indicator - Assembly	35	0405-032	2	• Tie Rod
13	0123-950	4	Screw, Self-Tapping	36	0620-149	1	Bulb, Speedometer
14	8408-860	6	Screw, Cap	37	0420-014	1	Harness, Speedometer
15	0405-035	4	Cap, Steering Adjuster	38	0420-018	1	Bracket, Speedometer
16	0506-139	1	Bracket, Key Switch	39	0420-016	2	Mount, Rubber
17	0505-007	1	Tube, Handlebar	40	0420-017	2	Washer
18	0405-039	2	Grip, Handlebar	41	0420-015	2	Pin, Retainer
19	0605-171	1	Housing, Bearing - Lower	42	0423-072	2	Nut, Hex Castle
20	0405-020	2	Bearing, Steering Post		0423-014	2	Nut, Hex Castle*
21	0705-064	1	Housing, Bearing - Upper	43	0409-013	1	Cover, Key*
22	0117-868	4	Pin, Cotter				

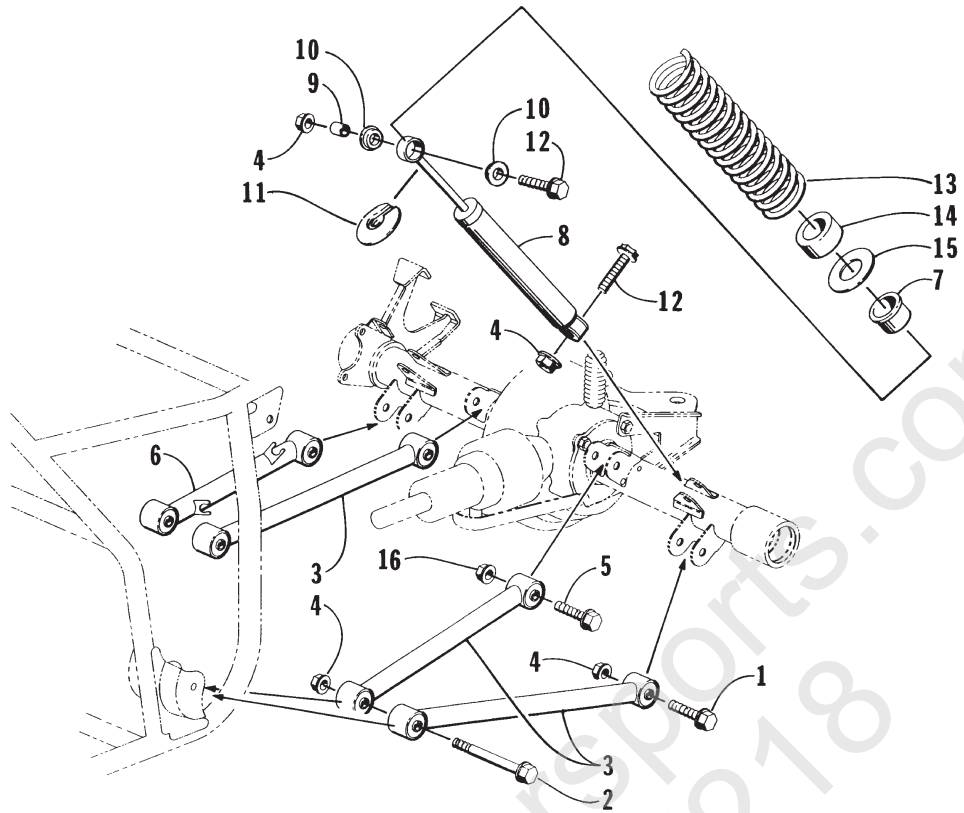


## FRONT SUSPENSION ASSEMBLY

(\*4x4 Models Serial # . . .08001 and above)

0732-344

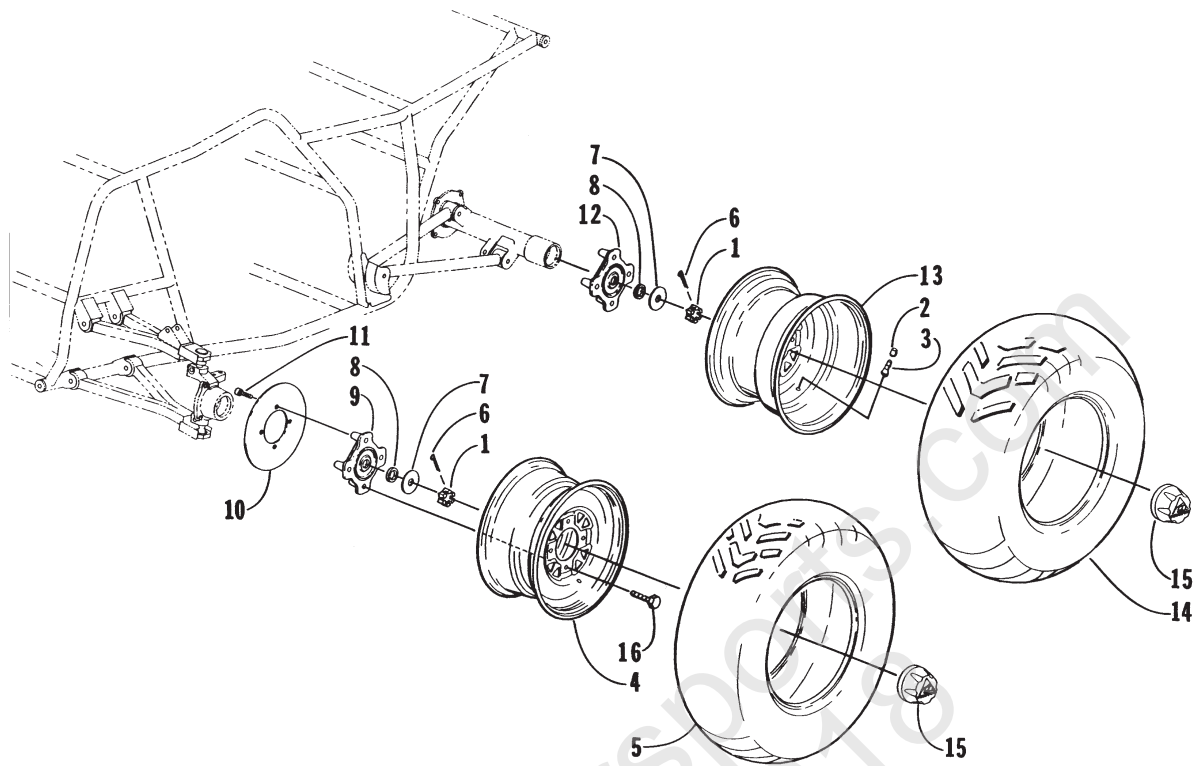
Ref.	Part No.	Qty.	Description	Ref.	Part No.	Qty.	Description
1	0603-033	2	Retainer, Spring	13	0505-016	1	Knuckle - Assembly - Right (inc. 14 and one No. 15-18)
2	0403-001	2	Shock Absorber - Front (inc. 3-4)		0505-017	1	Knuckle - Assembly - Left (inc. 14 and one No. 15-18)
3	0604-310	8	• Bushing, Shock Absorber	14	0505-010	1	• Knuckle, Steering - Right
4	0403-028	4	• Sleeve, Shock		0505-011	1	• Knuckle, Steering - Left
5	8424-802	12	Nut, Lock	15	0402-085	2	• Bearing, Wheel Hub - Front
6	8409-040	4	Screw, Cap	16	0423-034	2	• Clip, Bearing
7	0403-002	2	Spring, Shock Absorber	17	0402-089	2	• Seal, Wheel Bearing - Front
8	0403-025	2	Collar, Spring	18	0402-069	2	• Seal, Wheel Bearing - Front
9	0403-013	2	Washer, Spring	19	8409-030	4	Screw, Cap
10	0503-016	1	A-Arm, Upper Right - Assembly (inc. one No. 11-12)	20	8409-060	8	Screw, Cap
	0503-017	1	A-Arm, Upper Left - Assembly (inc. one No. 11-12)	21	0503-013	1	A-Arm, 4x4 Lower Left (inc. one No. 11-12)
	<u>0503-026</u>	1	A-Arm, Upper Right - Assembly (inc. one No. 11-12)*		0503-012	1	A-Arm, 4x4 Lower Right (inc. one No. 11-12)
	<u>0503-027</u>	1	A-Arm, Upper Left - Assembly (inc. one No. 11-12)*	22	0402-098	2	Axle, Drive - Front
11	0405-001	4	• Ball Joint - Front	23	0436-038	2	Repair Kit, Outer Boot - Front Axle
12	0423-009	2	• Clip, Ball Joint	24	0436-037	2	Repair Kit, Inner Boot - Front Axle
				25	0403-027	2	Retainer, Spring - Lower



## REAR SUSPENSION ASSEMBLY

0732-345

Ref.	Part No.	Qty.	Description	Ref.	Part No.	Qty.	Description
1	8409-060	3	Screw, Cap	9	0403-028	4	● Sleeve, Shock
2	8409-000	2	Screw, Cap	10	0604-310	8	● Bushing, Shock Absorber
3	0504-001	3	Arm, Swing	11	0603-033	2	Retainer, Spring
4	8428-002	8	Nut, Lock	12	8409-040	4	Screw, Cap
5	8409-055	1	Screw, Cap	13	0404-006	2	Spring, Shock Absorber
6	0504-005	1	Arm, Swing	14	0403-025	2	Collar, Spring
7	0403-027	2	Retainer, Spring - Lower	15	0403-013	2	Washer, Spring Adjustment
8	0404-001	2	Shock Absorber - Rear (inc. two No. 9 and four No. 10)	16	8422-002	1	Nut, Lock

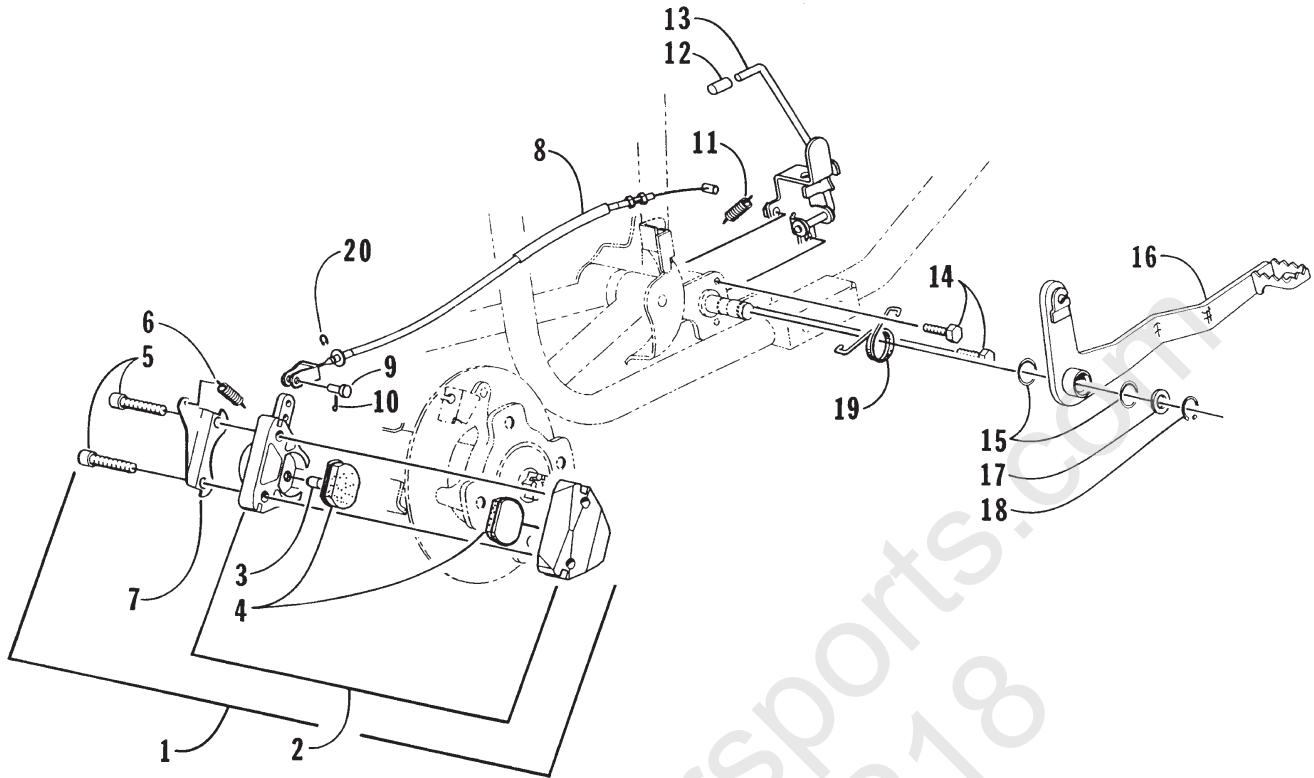


## WHEEL AND TIRE ASSEMBLY

(\*4x4 Models Serial # . . .08001 and above)

0733-366

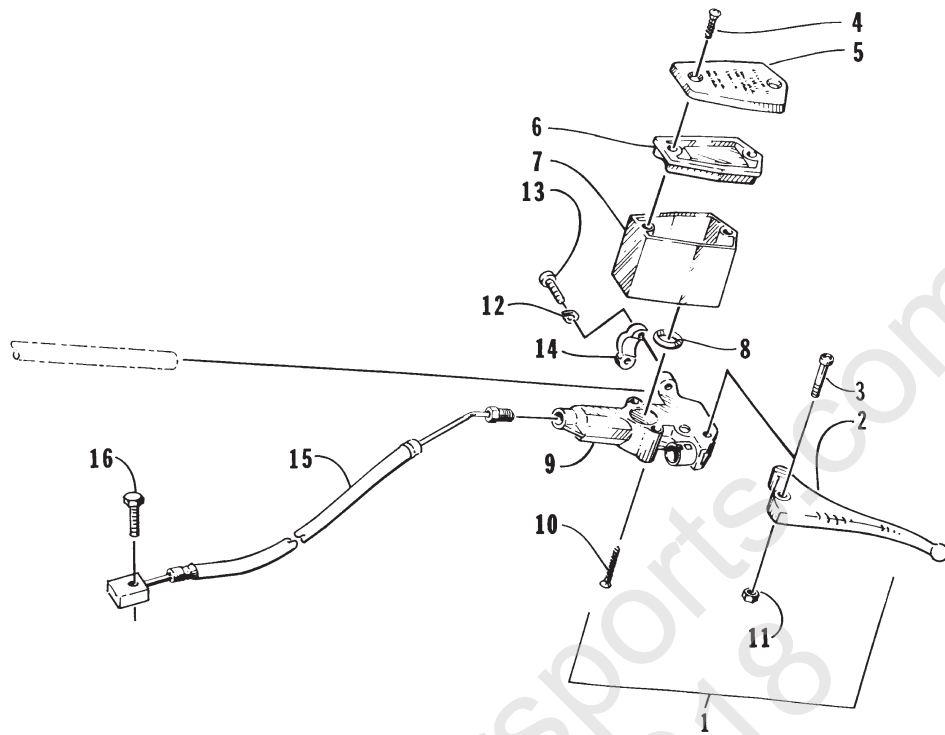
Ref.	Part No.	Qty.	Description	Ref.	Part No.	Qty.	Description
1	0423-015	4	Nut, Hex	9	0402-088	2	Hub, Wheel - Front
2	0402-140	4	Cap, Valve Stem	10	0402-009	3	Disc, Brake
3	0402-064	4	Valve, Stem	11	0423-029	12	Screw, Machine
4	0402-005	2	Wheel - Front	12	0402-080	2	Hub, Wheel - Rear
5	0402-007	2	Tire - Front	13	0402-006	2	Wheel - Rear
	0402-176	2	Tire - Front*	14	0402-008	2	Tire - Rear
6	0123-458	4	Pin, Cotter		0402-153	2	Tire - Rear*
7	0423-021	4	Washer	15	0403-011	4	Cap, Wheel - Center
8	0402-099	4	Seal, Hub	16	8409-020	16	Screw, Cap



## MECHANICAL BRAKE ASSEMBLY

0732-337

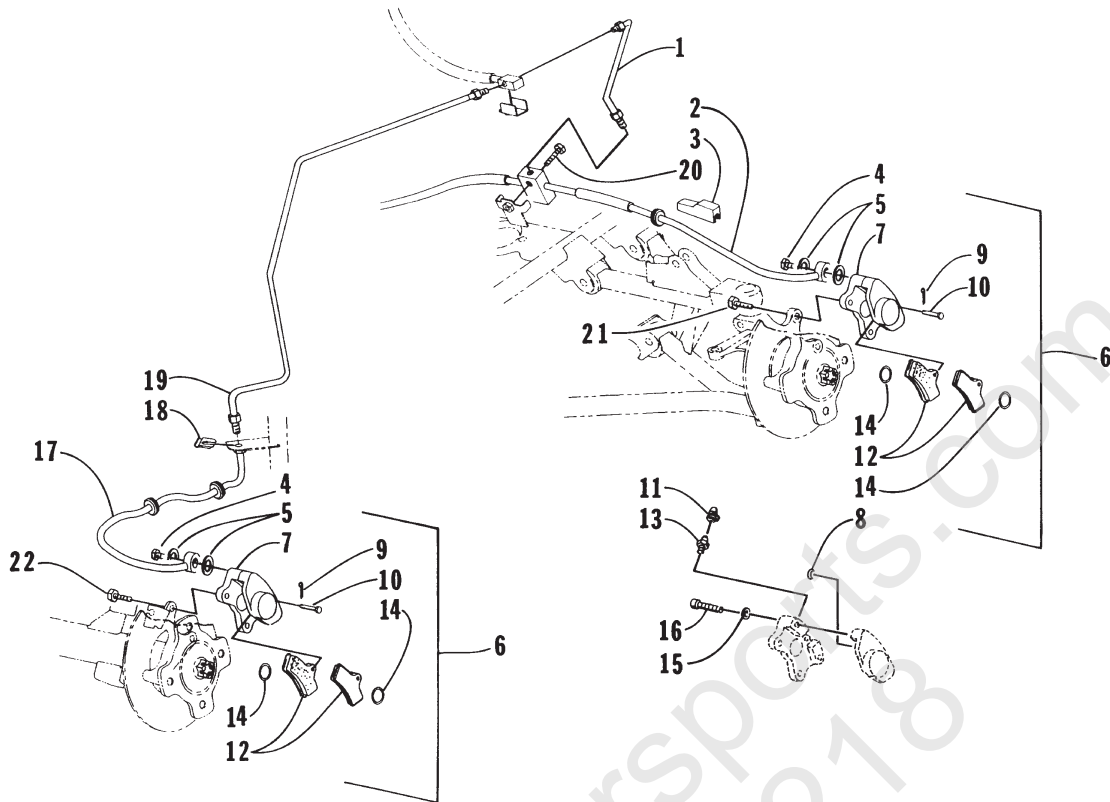
Ref.	Part No.	Qty.	Description	Ref.	Part No.	Qty.	Description
1	<u>0436-099</u>	1	Mechanical Brake Assembly (inc. 2-7)	11	0115-602	1	Spring, Brake Arm Return
2	0402-128	1	● Caliper, Mechanical Brake - Assembly (inc. 2-4)	12	0423-064	1	Cap, Protector - Red
3	0402-125	1	● ● Pin, Actuator	13	<u>0502-035</u>	1	Brake, Parking
4	0502-020	1	● ● Pad Set	14	8408-616	2	Screw, Cap
5	0423-058	2	● Screw, Socket Head	15	0670-183	2	O-Ring
6	0402-129	1	● Spring, Mechanical Brake	16	0502-024	1	Lever, Foot Brake
7	0402-116	1	● Bracket, Spring Retaining	17	0423-027	1	Washer, Brake Lever
8	0487-004	1	Cable, Brake - Rear	18	0623-237	1	Ring, Snap
9	0423-049	1	Pin	19	<u>0402-161</u>	1	Spring, Foot Brake
10	0117-868	1	Pin, Cotter	20	0124-057	1	E-Ring



## HYDRAULIC BRAKE CONTROL ASSEMBLY

0732-338 \*Not a Service Part

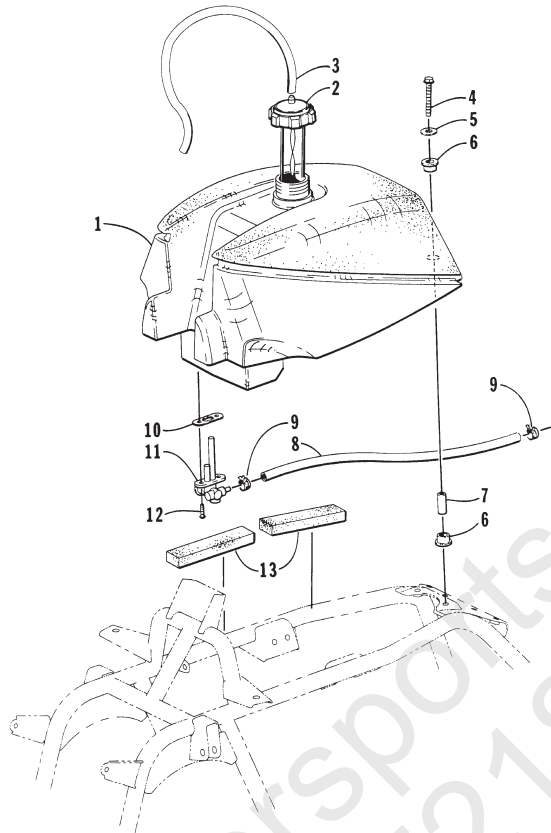
Ref.	Part No.	Qty.	Description	Ref.	Part No.	Qty.	Description
1	0502-021	1	Brake, Lever - Assembly (inc. 2-14)	9	*	1	● Master Cylinder
2	0402-049	1	● Lever, Brake	10	0623-432	2	● Screw, Reservoir Mount
3	0623-430	1	● Bolt, Lever Mounting	11	0623-056	1	● Nut, Lock
4	0623-506	2	● Screw, Cover - Master Cylinder	12	8052-212	2	● Washer, Lock
5	0602-742	1	● Cover, Master Cylinder	13	0623-613	2	● Screw, Clamp
6	0602-741	1	● Gasket, Cover - Master Cylinder	14	0602-907	1	● Clamp
7	0602-740	1	● Reservoir, Hydraulic Brake	15	0402-050	1	Hose, Master Cylinder
8	0602-587	1	● O-Ring, Reservoir	16	8408-625	1	Screw, Cap



## HYDRAULIC BRAKE ASSEMBLY

0732-339 \* Not a Service Part

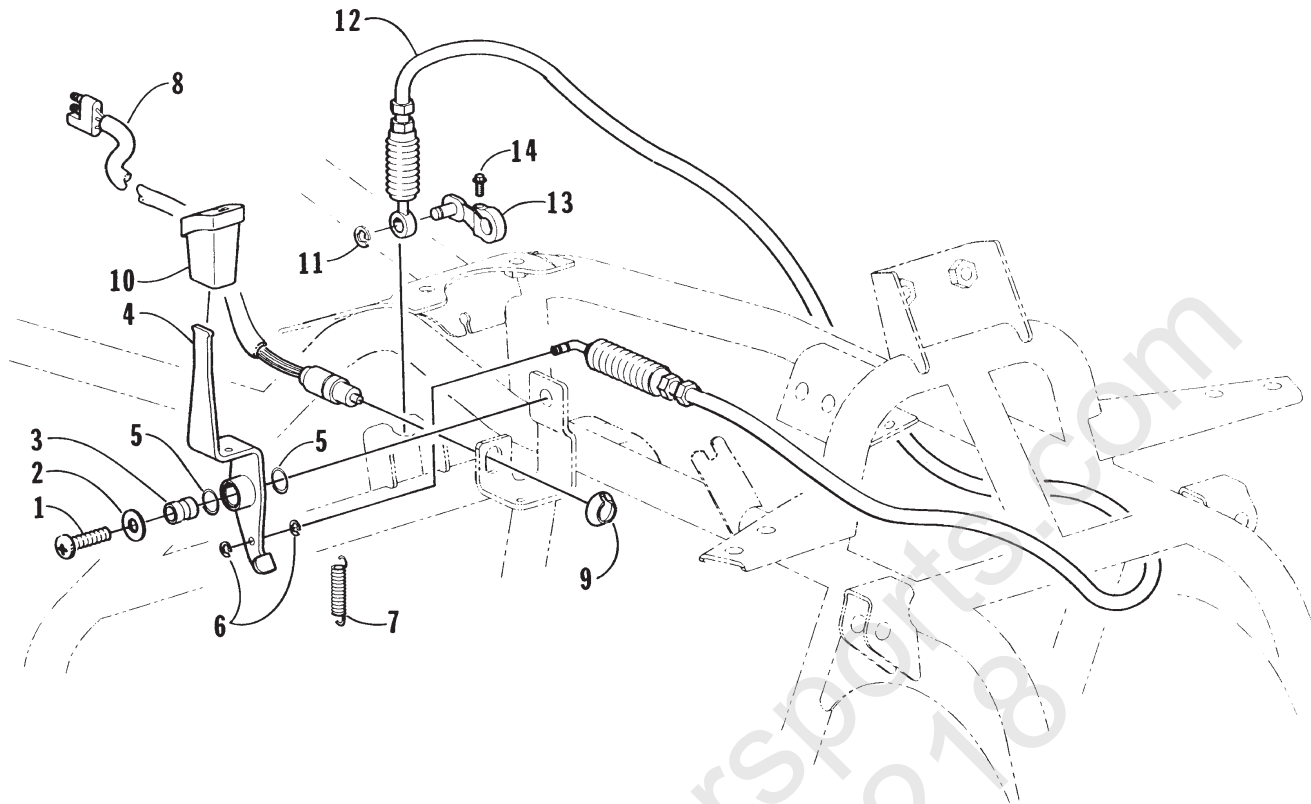
Ref.	Part No.	Qty.	Description	Ref.	Part No.	Qty.	Description
1	0402-053	1	Tube, Brake Line - Front	11	0402-143	3	• Cap, Bleeder Valve
2	0402-051	1	Hose, Brake - Front	12	0502-019	1	• Pad, Hydraulic Brake - Set
3	0402-073	2	Block, Mounting	13	0402-167	3	• Valve, Bleeder
4	0423-038	3	Bolt, Oil	14	0402-141	6	• O-Ring, Hydraulic Brake Caliper
5	0423-039	6	Washer, Crush	15	0402-165	6	• Washer
6	0402-010	1	Caliper, Brake - Right Front (inc. 7-13 and two No. 14-16)	16	0402-166	6	• Screw, Socket Head
	0402-011	1	Caliper, Brake - Left Front and Rear (inc. 7-13 and two No. 14-16)	17	0402-052	1	Hose, Brake - Rear
7	*	3	• Housing, Caliper	18	0402-115	1	Clip, Brake Line
8	0402-164	3	• O-Ring	19	0402-054	1	Tube, Brake Line - Rear
9	0117-868	3	• Pin, Cotter	20	8408-625	1	Screw, Cap
10	0402-142	3	• Pin, Hydraulic Brake Caliper	21	8408-825	2	Screw, Cap
				22	8408-820	4	Screw, Cap



## FUEL TANK ASSEMBLY

0732-346 \* Not a Service Part

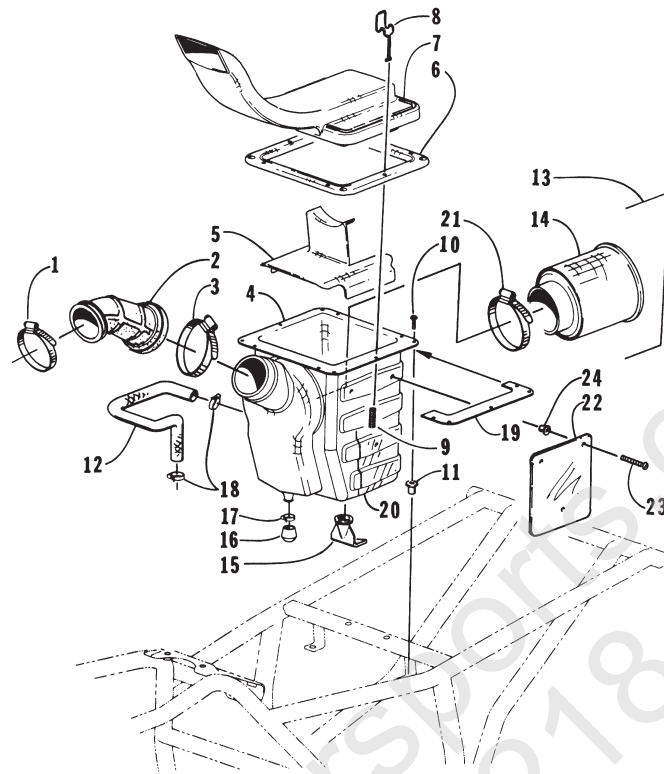
Ref.	Part No.	Qty.	Description	Ref.	Part No.	Qty.	Description
1	0570-003	1	Tank, Fuel (inc. 2 and 6-9)	8	0610-007	AR	Line, Fuel
2	0470-315	1	• Cap, Fuel Tank (inc. 3)	9	0423-048	2	Clamp, Hose - Spring
3	0470-316	AR	• Line, Fuel Cap Vent	10	*	1	Gasket, Fuel
4	8408-650	2	Screw, Cap	11	0470-314	1	Valve, Shut-Off (inc. 10)
5	0623-184	2	Washer	12	8471-616	2	Screw, Cap
6	0406-169	4	Bushing, Fuel Tank Mount	13	0417-001	4	Pad, Fuel Tank
7	0406-170	2	Collar, Fuel Tank Mount				



## REVERSE SHIFT LEVER ASSEMBLY

0732-334

Ref.	Part No.	Qty.	Description	Ref.	Part No.	Qty.	Description
1	8477-830	1	Screw, Cap	8	0409-008	1	Reverse Switch
2	8050-252	1	Washer	9	0402-130	1	Retainer, Switch
3	0402-103	1	Axle, Reverse Shifter	10	0402-062	1	Knob, Reverse Shift Lever
4	0502-022	1	Lever, Reverse	11	3423-168	1	E-Ring
5	0423-069	2	O-Ring	12	0487-003	1	Cable, Shift
6	0423-063	2	E-Ring	13	3446-055	1	Arm, Reverse Gear Shift
7	0402-136	1	Spring, Reverse Lever	14	8408-616	1	Screw, Cap



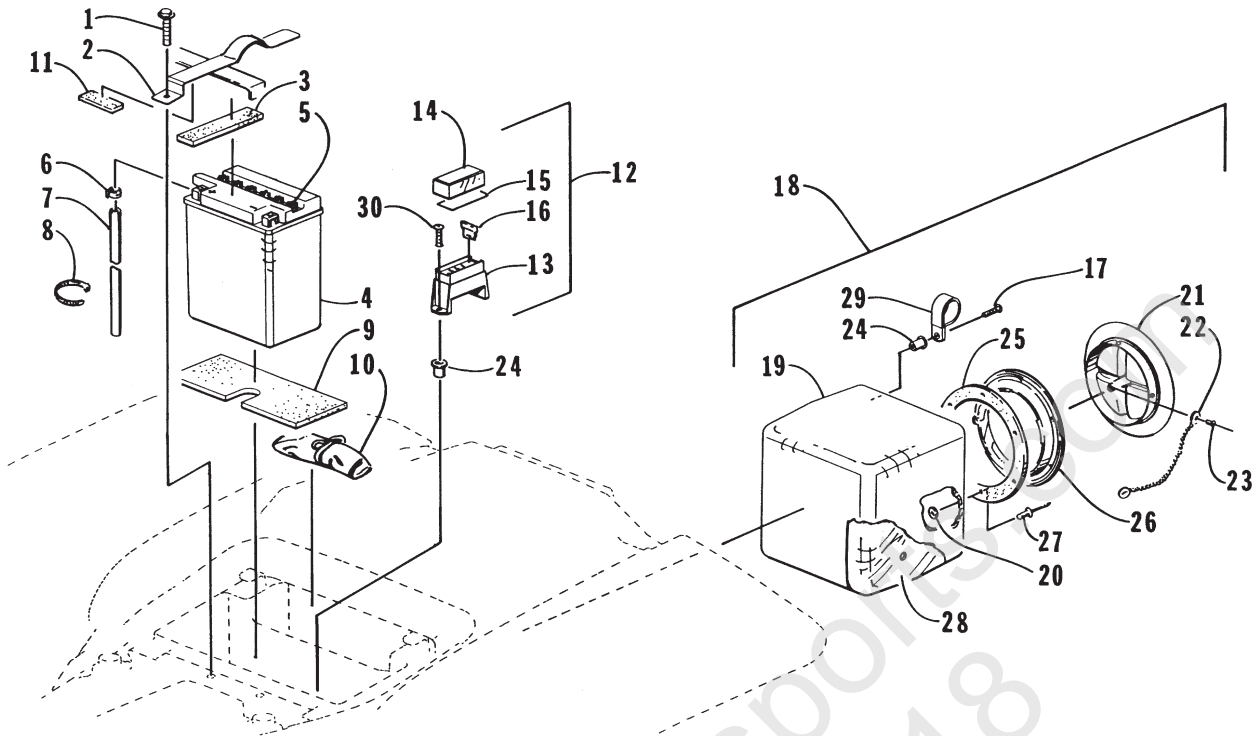
## AIR INTAKE ASSEMBLY

(\*4x4 Models Serial # . . .08001 and above)

0732-810 \*\* Not Illustrated

Ref.	Part No.	Qty.	Description	Ref.	Part No.	Qty.	Description
1	0423-066	1	Clamp	14	0470-332	2	● Sleeve, Filter
2	0470-305	1	Boot, Air Cleaner	15	0470-309	1	Valve, Air Cleaner
3	0423-018	1	Clamp	16	0470-333	1	Cap, Drain - Air Cleaner
4	0570-007	1	Cleaner, Air - Lower Assembly	1673-272	1	Cap, Fitting - Air Cleaner*	
5	0470-328	1	Baffle, Splash - Air Cleaner	17	0423-071	1	Clamp, Hose
6	0470-324	1	Gasket, Air Cleaner	18	0423-045	2	Clamp, Hose - Spring
7	0470-334	1	Snorkel, Air Cleaner	19	0470-327	2	Support, Air Cleaner Flange
	0470-342	1	Snorkel, Air Cleaner*	20	0706-990	AR	Tape, Foil
8	0470-307	4	Clamp, Air Cleaner	21	0423-018	1	Clamp, Air Cleaner
9	0423-037	4	Spring, Air Cleaner		0423-082	1	Clamp, Air Cleaner*
10	0123-549	4	Screw, Machine	22	0406-296	1	Plate, Heat - Air Intake*
11	0123-010	4	Nut, Expansion	23	0123-549	3	Screw, Machine*
12	0410-004	1	Hose, Crankcase Vent	24	0123-010	3	Nut, Expansion*
13	0470-322	4	Filter, Air Cleaner (inc. 14)	25	0406-297	1	Plate, Heat**

**BEARCAT ATV 4X4**

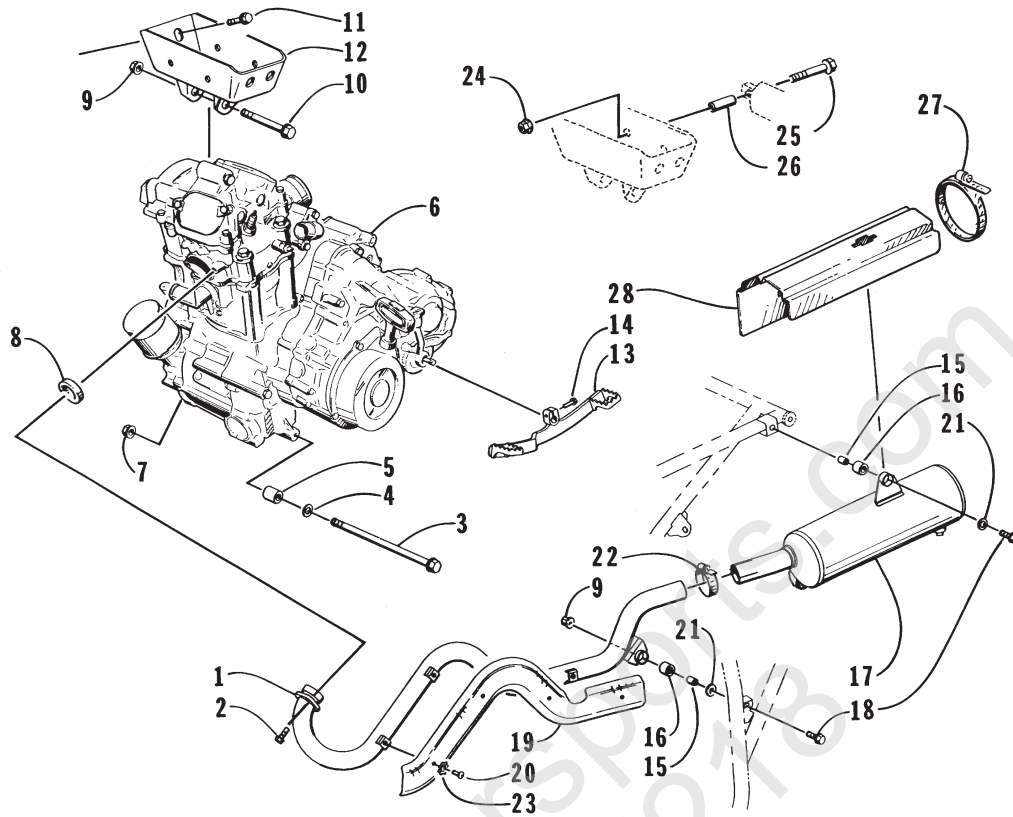


**STORAGE BOX AND BATTERY ASSEMBLY**

(\*\*4x4 Models Serial # . . .08001 and above)

0732-811 \* Not a Service Part

Ref. Part No.	Qty.	Description	Ref. Part No.	Qty.	Description		
1	8408-616	1	Screw, Cap	17	0623-121	4	Screw, Machine
2	0506-178	1	Strap, Battery - w/Pads (inc. 3 and 11)	18	0506-102	1	Storage Box - Assembly (inc. 19-23 and four No. 24 and 25-27)
3	0406-289	2	• Pad, Battery - Upper Front	19	0406-257	1	• Box, Tool
4	0445-005	1	Battery - Assembly (inc. 5-7)	20	8050-152	6	• Washer
5	0645-045	6	• Cap, Battery	21	0406-208	1	• Lid, Tool Box
6	0645-152	1	• Clamp, Hose	22	0773-401	1	• Chain, Storage
7	0645-179	1	• Hose, Battery Vent	23	0623-620	2	• Rivet
8	0123-788	AR	Tie, Cable	24	0123-010	6	• Nut, Expansion
9	0406-227	1	Pad, Battery - Lower	25	0673-973	1	• Seal, Storage Cover
10	0444-001	1	Kit, Tool	26	0406-205	1	• Ring, Mounting - Storage Box Lid
11	0406-288	2	Pad, Batter - Upper Rear	27	8060-630	6	• Rivet
12	0530-001	1	Fuse Box - Assembly (inc. 13-16)	28	0706-990	AR	Tape, Foil
13	*	1	• Block, Fuse	29	0423-044	4	Clamp, Tube
14	*	1	• Lid, Fuse Block	30	0623-549	2	Screw, Machine
15	0411-042	1	• Decal, Fuse Block		0623-121	2	Screw, Machine**
16	0630-057	3	• Fuse, 10 AMP				
	0630-058	2	• Fuse, 15 AMP				



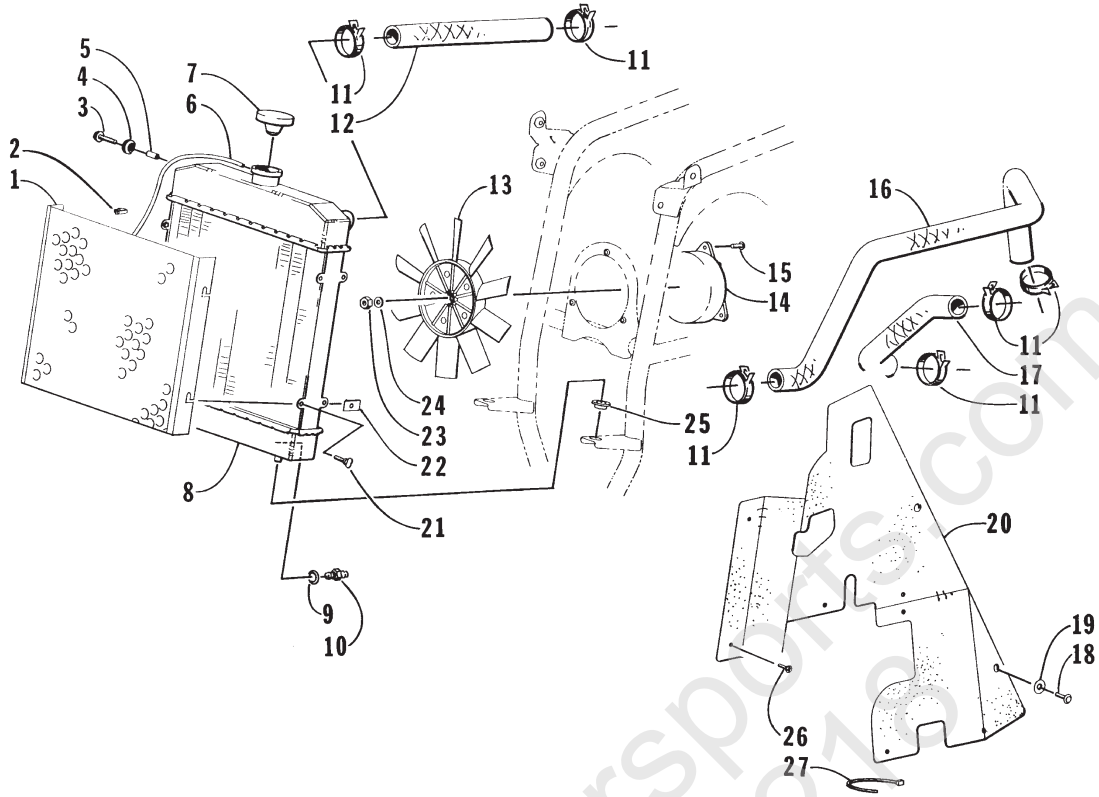
## ENGINE AND EXHAUST

(\*4x4 Models Serial # . . .08001 and above)

0733-371

Ref.	Part No.	Qty.	Description	Ref.	Part No.	Qty.	Description
1	0512-001	1	Pipe, Exhaust	15	0412-003	3	Spacer, Exhaust
2	8408-820	2	Screw, Cap	16	0412-004	3	Bushing, Rubber
3	3423-003	3	Screw, Cap	17	0412-005	1	Muffler
4	0423-050	3	Washer, Motor	18	8408-830	3	Screw, Cap
5	0423-042	1	Spacer, Engine	19	0406-224	1	Cover, Exhaust
6	0462-003	1	Engine	20	8477-610	4	Screw, Machine
7	8428-002	3	Nut, Lock	21	8050-252	3	Washer
8	0412-007	1	Seal, Exhaust	22	0214-015	1	Clamp
9	8424-802	2	Nut, Jam	23	8053-211	4	Washer, Star
10	8408-860	1	Screw, Cap	24	8424-602	2	Nut
11	8409-020	4	Screw, Cap	25	8408-640	2	Screw, Cap
12	0506-083	1	Bracket, Upper Motor	26	0107-630	2	Spacer
13	0502-016	1	Lever, Shift	27	0423-079	2	Clamp, Hose*
14	8408-620	1	Screw, Cap	28	0406-298	1	Plate, Heat - Muffler*

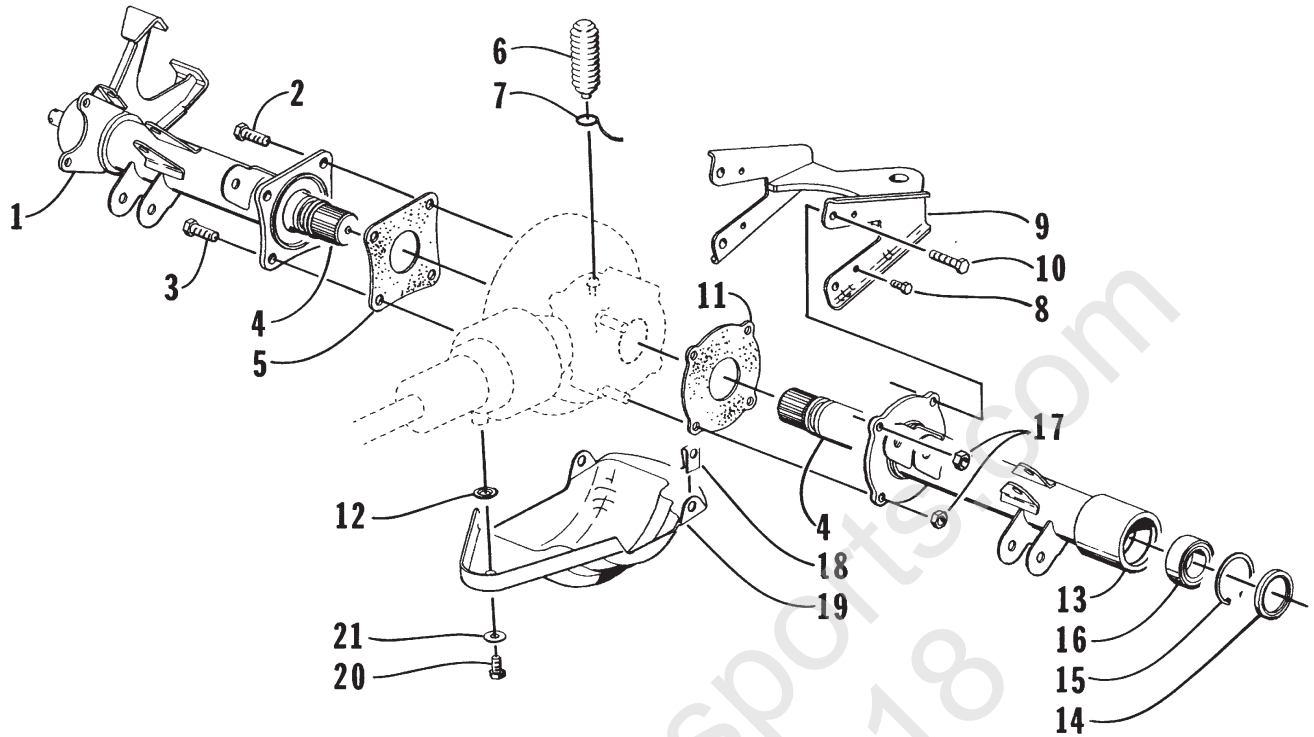
# BEARCAT ATV 4X4



## COOLING ASSEMBLY

0732-738

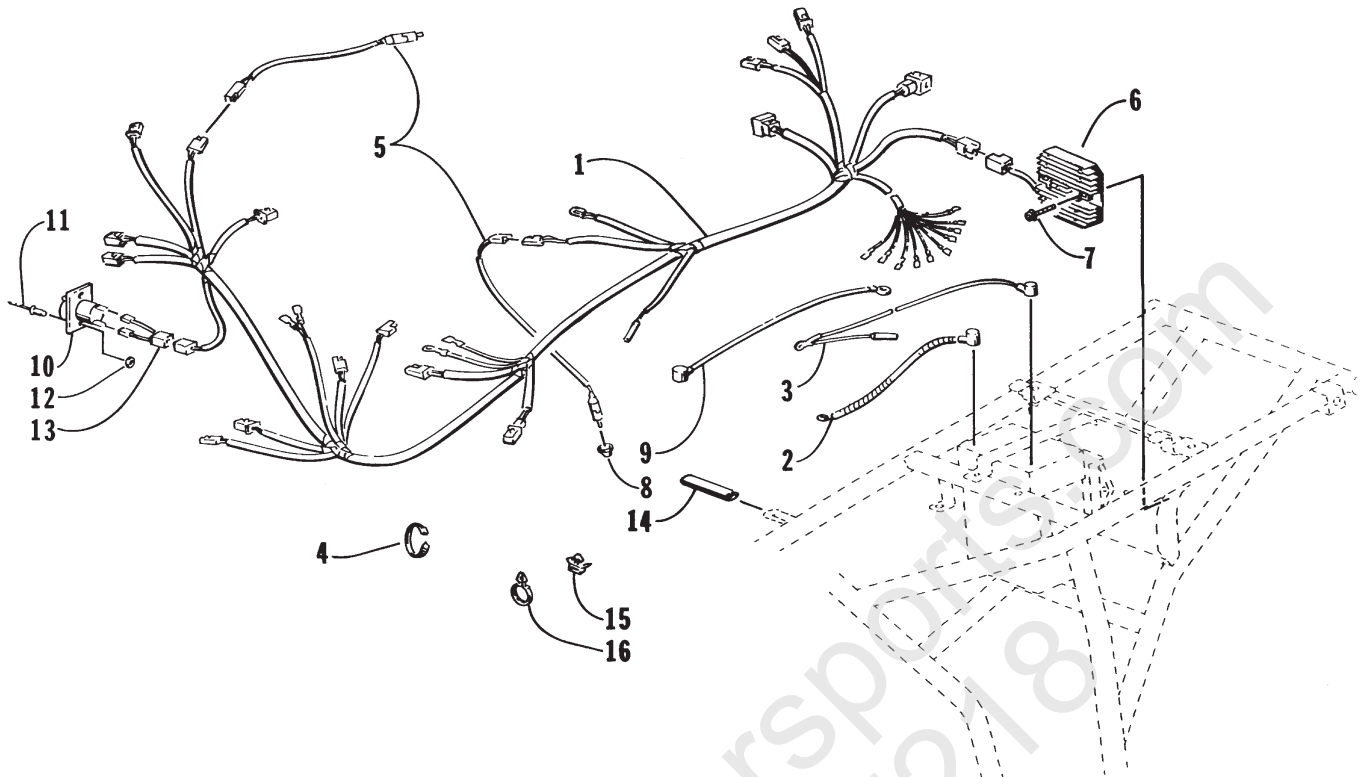
Ref.	Part No.	Qty.	Description	Ref.	Part No.	Qty.	Description
1	0413-007	1	Screen, Radiator	14	0413-004	1	Motor, Fan
2	3002-964	2	Clamp, Wire	15	8474-516	3	Screw, Machine
3	8408-620	2	Screw, Cap	16	0410-001	1	Hose, Coolant - Lower
4	0423-030	2	Grommet	17	0410-003	1	Hose, Coolant - Crossover
5	0423-036	2	Collar	18	8474-616	8	Screw, Machine
6	0610-016	AR	Hose - 25 ft	19	0423-010	8	Washer, Shoulder
7	0413-002	1	Cap, Radiator	20	0406-200	2	Panel, Fender - Inner
8	0413-001	1	Radiator - Assembly (inc. 1, 4, 9-10 and 21)	21	0413-009	4	Screw, Thumb
9	0423-062	1	• O-Ring	22	0423-031	4	Nut, Speed
10	0430-001	1	• Switch, Temperature Sensor	23	0423-056	1	Nut, Jam - Left
11	0423-070	6	Clamp, Hose	24	8050-252	1	Washer
12	0410-002	1	Hose, Coolant - Upper	25	0423-028	2	Bushing, Stem
13	0413-006	1	Blade, Fan	26	8477-616	4	Screw, Machine
				27	0123-788	8	Tie, Cable



## REAR AXLE ASSEMBLY

0732-350

Ref.	Part No.	Qty.	Description	Ref.	Part No.	Qty.	Description
1	0502-018	1	Housing, Axle - Rear Right	12	0423-010	1	Washer, Shoulder
2	8409-030	2	Screw, Cap	13	0502-005	1	Housing, Axle - Rear Left
3	8409-025	1	Screw, Cap	14	0402-068	2	Seal
4	0402-145	2	Axle - Rear	15	0423-033	2	C-Clip
5	0402-139	1	Gasket, Rear Axle	16	0402-003	2	Bearing, Wheel Hub - Rear
6	3008-100	1	Bladder, Case	17	8428-002	2	Nut, Jam
7	0123-811	1	Tie, Cable	18	0423-031	2	Nut, Speed
8	8408-616	2	Screw, Cap	19	0406-097	1	Panel, Gear Case - Rear
9	0506-135	1	Hitch, Trailer	20	8408-820	1	Screw, Cap
10	8408-840	2	Screw, Cap	21	8050-252	1	Washer
11	0402-138	1	Gasket, Rear Axle				

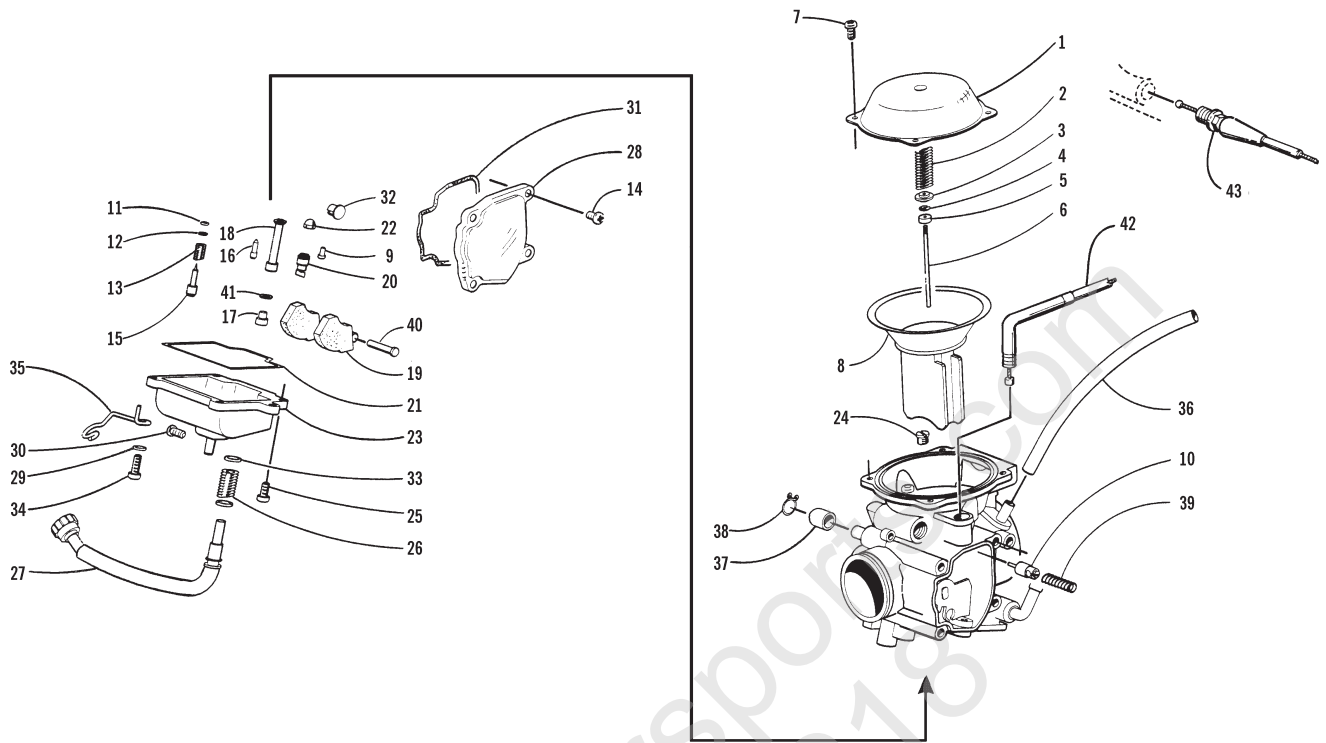


## WIRING HARNESS ASSEMBLY

(\*4x4 Models Serial # . . .08001 and above)

733-409A

Ref.	Part No.	Qty.	Description	Ref.	Part No.	Qty.	Description
1	0486-001	1	Harness, Main	9	0445-004	1	Cable, Battery/Electric Start
	<u>0486-007</u>	1	Harness, Main*	10	0445-001	4	Receptacle, 12V
2	0445-003	1	Cable, Battery/Electric Start Relay	11	8060-430	2	Rivet
3	0445-002	1	Cable, Battery/Ground		8060-426	2	Rivet*
4	0123-788	AR	Tie, Cable	12	0123-149	2	Washer
5	0409-009	1	Switch, Brake - Assembly	13	0486-004	1	Harness, 12V Receptacle
6	<u>0530-002</u>	1	Regulator, Voltage	14	0423-067	1	Tube, Loom
	3430-016	1	Regulator, Voltage*	15	0423-065	2	Base, Wire Tie
7	8408-620	2	Screw, Cap	16	0623-454	1	Clip, Snap In
8	0402-130	1	Retainer, Switch				

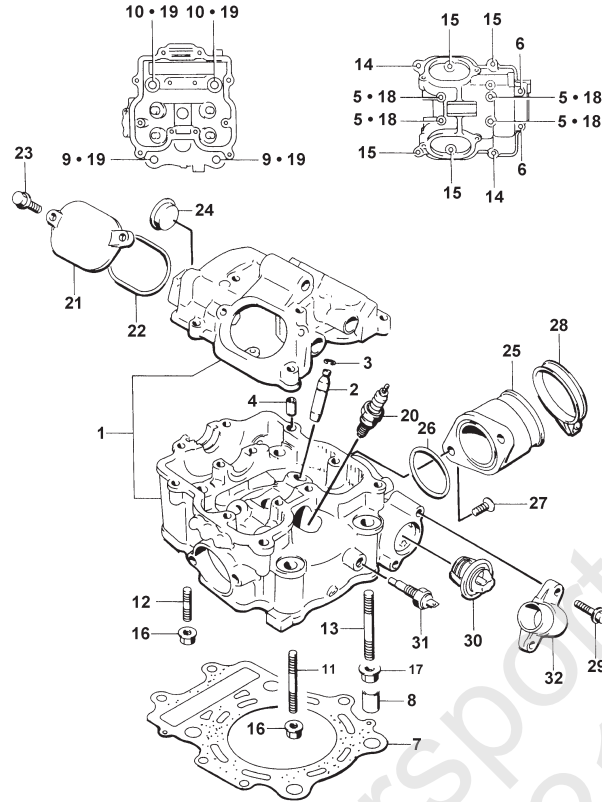


## CARBURETOR

(\*4x4 Models Serial # . . .08001 and above)(Complete Assembly p/n 0470-317, 0470-340\*)

0732-351

Ref.	Part No.	Qty.	Description	Ref.	Part No.	Qty.	Description
1	4505-001	1	Cover - Assembly	22	4505-045	1	Filter
2	4505-002	1	Spring	23	4505-023	1	Chamber, Float
	4505-046	1	Spring*	24	4505-038	1	Jet, Pilot - Air
3	4505-003	1	Ring	25	4505-025	3	Screw
4	4505-004	1	E-Ring	26	4505-026	1	Spring
5	4505-005	1	Ring	27	4505-027	1	Cable Adjust - Assembly
6	4505-020	1	Jet Needle 5D40-4	28	4505-028	1	Cover
7	4505-007	4	Screw	29	4505-029	1	Washer
8	4505-008	1	Diaphragm	30	4505-030	1	Screw
9	4505-009	1	Screw	31	4505-031	1	O-Ring
10	4505-010	1	Plunger - Assembly	32	4505-032	1	Guide, Cable
11	4505-011	1	O-Ring	33	4505-033	2	Washer
12	4505-012	1	Washer	34	4505-042	1	Screw
13	4505-013	1	Spring	35	4505-034	1	Clip
14	4505-014	4	Screw	36	4505-035	2	Hose
15	4505-016	1	Screw, Pilot	37	4505-036	1	Cap
16	4505-017	1	Jet, Pilot 40	38	4505-037	1	Clip
17	4505-019	1	Jet, Main 142.5	39	4505-039	1	Spring
	4505-047	1	Jet, Main 152.5*	40	6505-153	1	Pin
18	4505-006	1	Needle Jet P-7	41	6505-006	1	Washer
19	4505-021	1	Float - Assembly	42	0487-001	1	Cable, Throttle
20	4505-022	1	Seat, Valve 2.0 (With Needle)	43	0487-002	1	Cable, Choke
21	4505-044	1	O-Ring, Bowl				

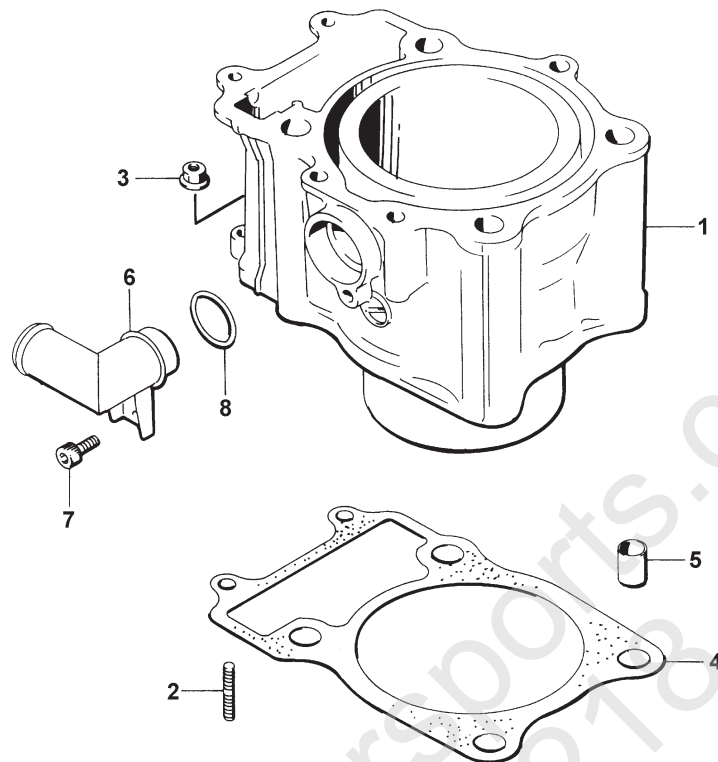


## CYLINDER HEAD ASSEMBLY

(Complete Gasket Set p/n 3402-107)

0732-300 \*Not Illustrated

Ref.	Part No.	Qty.	Description	Ref.	Part No.	Qty.	Description
1	3402-098	1	Head, Cylinder - Assembly (inc. 2-6)	18	3003-290	4	Gasket
2	3402-099	4	● Guide, Valve	19	3402-010	4	Gasket, Head Nut
3	3423-068	4	● Circlip	20	0217-705	1	Spark Plug (NGK CR8E)
4	3423-043	2	● Pin	21	3402-100	2	Cap, Inspection
5	3423-006	4	● Screw, Cap	22	3402-101	2	O-Ring
6	3008-376	2	● Screw, Cap	23	3004-341	4	Screw, Cap
7	3402-163	1	Gasket, Cylinder Head	24	3402-035	1	Plug, Cylinder Head
8	3423-088	2	Pin	25	3402-149	1	Pipe, Intake - Assembly (inc. 26)
9	3423-015	2	Screw, Cap	26	3423-062	1	● O-Ring
10	3423-016	2	Screw, Cap	27	3423-019	2	Screw, Cap
11	3423-089	2	Screw, Cylinder Head Stud	28	3402-086	1	Clamp
12	3423-087	2	Screw, Cylinder Head Stud	29	3004-341	2	Screw, Cap
13	3423-203	1	Bolt, Stud	30	3413-005	1	Thermostat
14	3423-007	2	Screw, Cap	31	3530-005	1	Switch, Water Temp - Assembly
15	3004-376	4	Screw, Cap	32	3413-004	1	Cover, Thermostat
16	3004-488	4	Nut	33	3402-048	1	Plug, Frost*
17	3004-326	1	Nut				

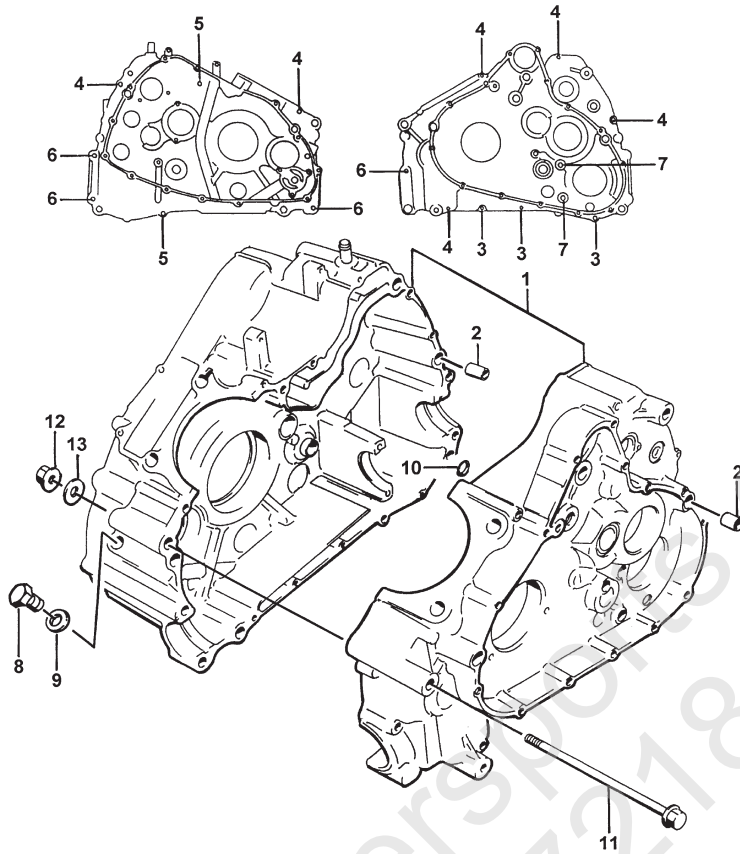


## CYLINDER ASSEMBLY

0732-301

Ref.	Part No.	Qty.	Description	Ref.	Part No.	Qty.	Description
1	3402-102	1	Cylinder	5	3423-088	2	Pin
2	3423-090	2	Bolt, Stud	6	3413-006	1	Union, Water Hose
3	3004-488	2	Nut	7	3423-121	1	Bolt
4	3402-103	1	Gasket, Cylinder	8	3423-058	1	O-Ring

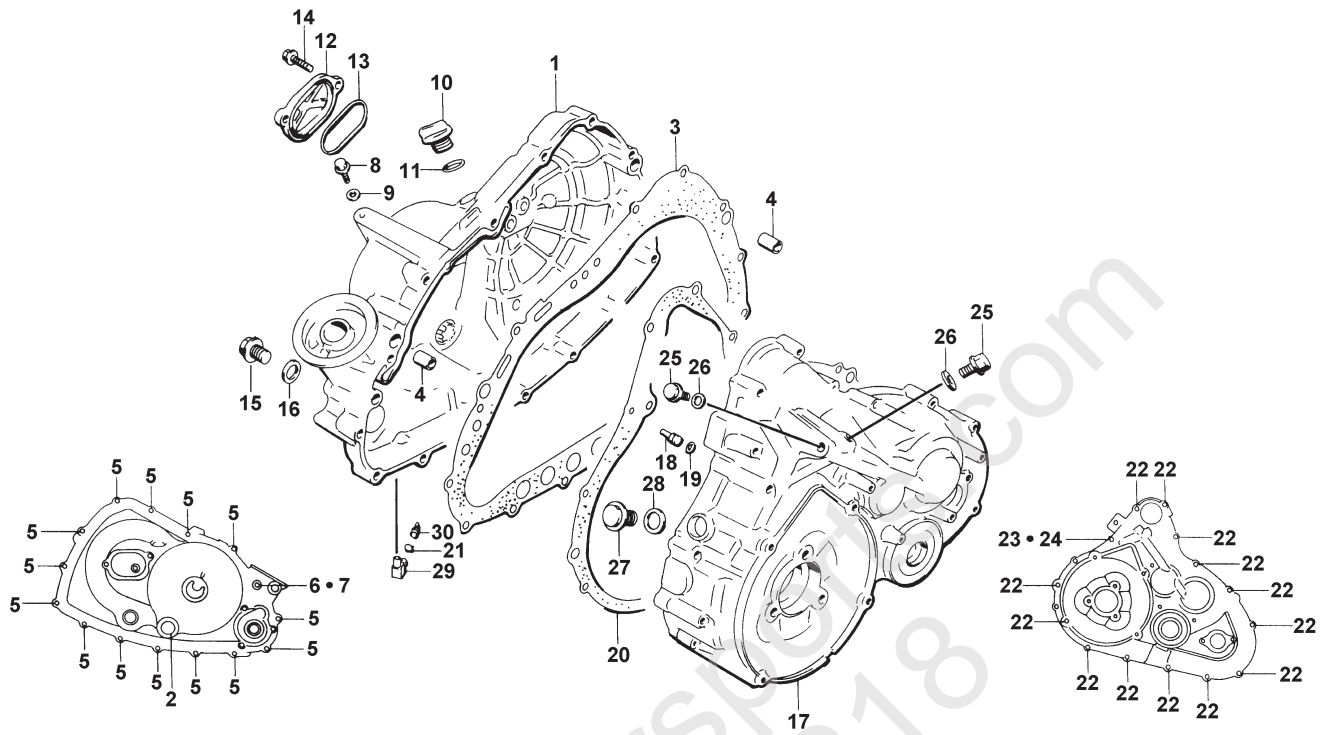
# BEARCAT ATV 4X4



## CRANKCASE ASSEMBLY

0732-302

Ref.	Part No.	Qty.	Description	Ref.	Part No.	Qty.	Description
1	3402-198	1	Crankcase Set (inc. 2-7)	8	3423-095	1	Plug, Oil Gallery
2	3423-088	4	● Pin	9	3402-011	1	Gasket
3	3423-091	3	● Screw, Cap	10	3423-052	1	O-Ring
4	3423-092	6	● Screw, Cap	11	3423-009	3	Screw, Cap
5	3423-094	2	● Screw, Cap	12	3423-024	3	Nut
6	0693-303	4	● Screw, Cap	13	3004-278	3	Washer
7	3423-093	2	● Screw, Cap				

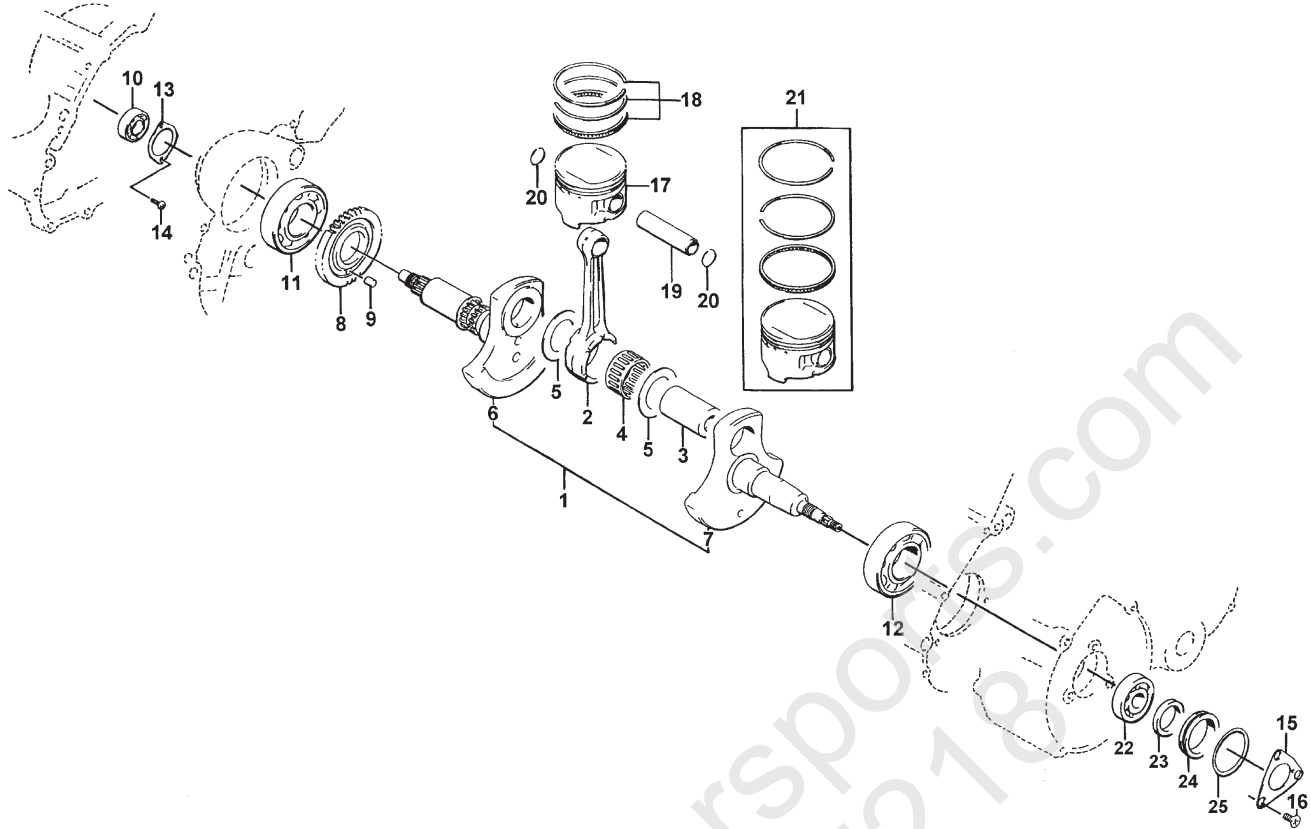


## CRANKCASE COVER ASSEMBLY

0732-303 \*Engine Serial No. M403-100043 and later

Ref.	Part No.	Qty.	Description	Ref.	Part No.	Qty.	Description
1	3402-199	1	Cover, Clutch (inc. 2)	17	3402-106	1	Cover Set, Transfer (inc. 18-19)
2	3402-112	1	● Lens, Oil Inspection	18	3402-097	1	● Jet, Oil Mission
3	3402-108	1	Gasket	19	3423-051	1	● O-Ring
4	3423-088	2	Pin	20	3402-109	1	Gasket
5	0693-327	14	Screw, Cap	21	3423-120	1	Clip
6	3423-097	1	Screw, Cap	22	3423-098	13	Screw, Cap
7	3003-290	1	Gasket	23	3423-092	1	Screw, Cap
8	3004-339	1	Plug, Oil Gallery	24	3003-290	1	Gasket
9	3402-009	1	Gasket	25	3004-705	2	Plug, Oil Gallery
10	3402-042	1	Cap, Engine Oil Filler	26	3003-188	2	Gasket
11	3423-055	1	O-Ring	27	3402-038	1	Plug, Hex Head
12	3402-100	1	Cap, Inspection	28	3402-013	1	Plug, Allen Head*
13	3402-101	1	O-Ring	29	3413-009	1	Gasket
14	3423-096	2	Screw, Cap	30	3413-008	1	Union, Water Drain
15	3402-037	1	Plug, Oil Pressure				Hose
16	3402-012	1	Gasket				

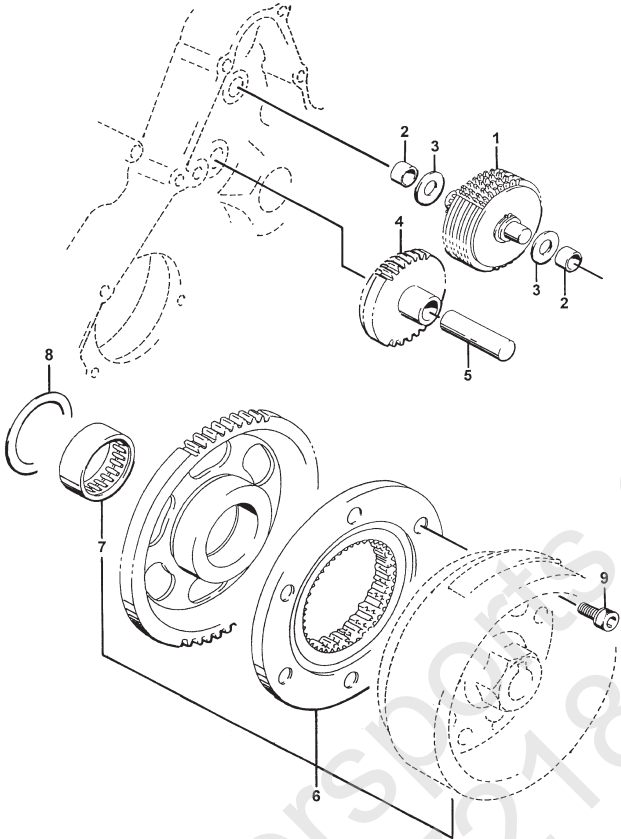
**BEARCAT ATV 4X4**



**CRANKSHAFT ASSEMBLY**

0732-304 \* Not a Service Part \*\* Not Illustrated

Ref.	Part No.	Qty.	Description	Ref.	Part No.	Qty.	Description
1	3402-115	1	Crankshaft - Assembly (inc. 2-7)	16	3423-018	3	Screw, Cap
2	3402-111	1	● Rod, Connecting	17	3402-113	1	Piston
3	3402-116	1	● Pin, Crank	18	3402-114	1	Ring Set, Piston
4	3402-064	1	● Bearing	3436-007	1	Ring Set (+0.020 in.)	
5	3423-030	2	● Washer	3436-008	1	Ring Set (+0.040 in.)	
6	3402-193	1	● Crankshaft Set - Right (inc. 8-9)	19	3402-110	1	Pin
7	3402-118	1	● Crankshaft - Left	20	3423-069	2	Circlip
8	*	1	Gear, Balancer Drive	21	3436-002	1	Piston Set (+0.020 in.)
9	*	1	Pin	3436-003	1	Piston Set (+0.040 in.)	
10	3402-044	1	Bearing - Right	22	3402-051	1	Bearing
11	3402-058	1	Bearing - Center	23	3402-070	1	Seal, Oil
12	3402-054	1	Bearing - Left	24	3402-119	1	Spacer
13	3402-120	1	Retainer, Bearing - Right	25	3423-063	1	O-Ring
14	3423-017	2	Screw, Cap	26	3436-007	1	Ring Set (+0.020 in.) **
15	3402-188	1	Retainer, Oil Seal - Left	27	3436-008	1	Ring Set (+0.040 in.) **

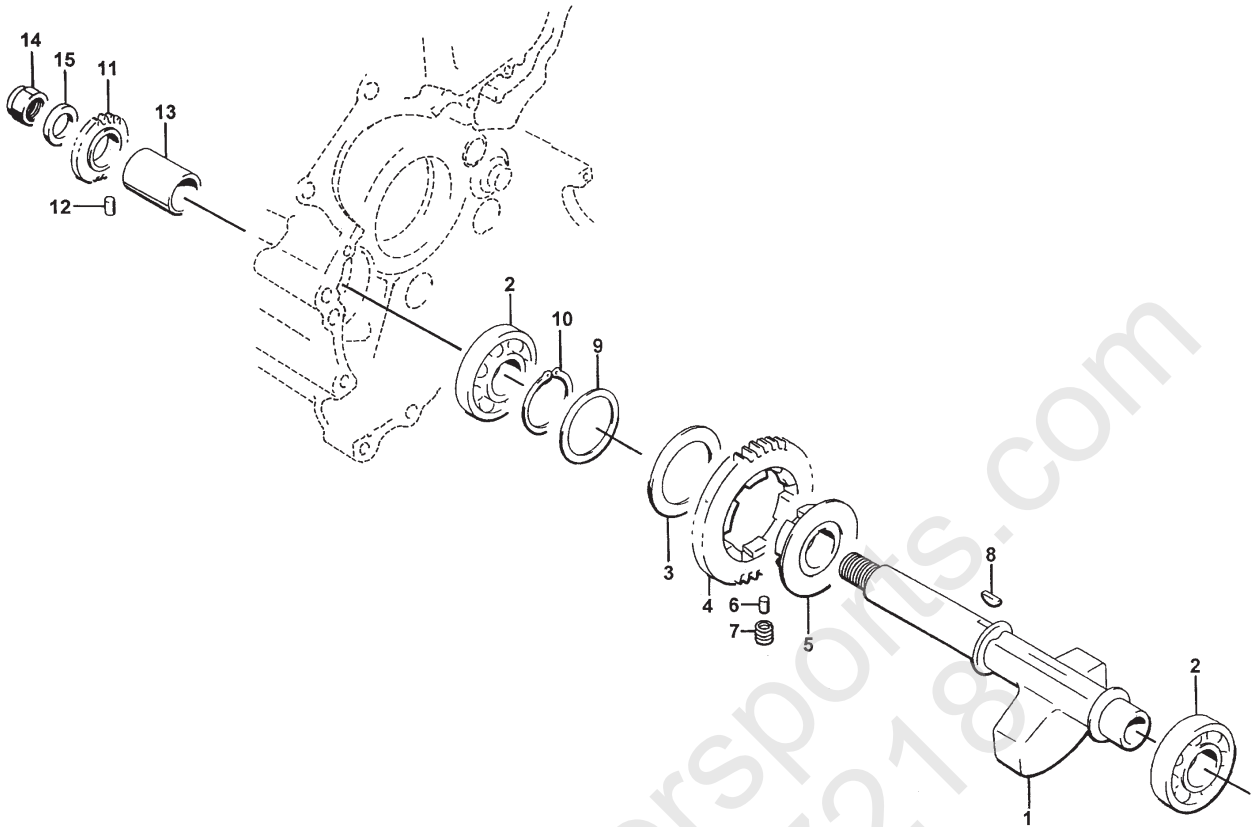


### STARTER CLUTCH ASSEMBLY

0732-305

Ref.	Part No.	Qty.	Description	Ref.	Part No.	Qty.	Description
1	3402-123	1	Limiter, Idle Gear - Assembly	6	3402-122	1	Clutch, Starter - Set (inc. 7)
2	3402-125	2	Bushing	7	3402-063	1	● Bearing
3	3423-103	2	Washer	8	3423-104	1	Washer
4	3402-124	1	Gear, Starter Idle	9	3423-102	6	Screw, Cap
5	3423-042	1	Pin				

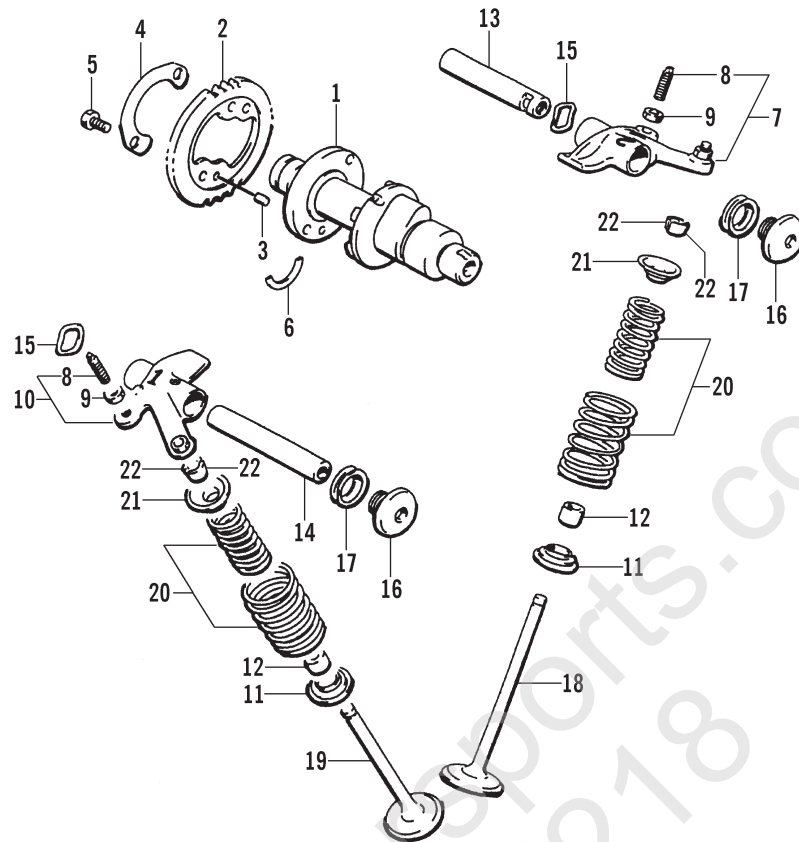
# BEARCAT ATV 4X4



## CRANK BALANCER ASSEMBLY

0732-306

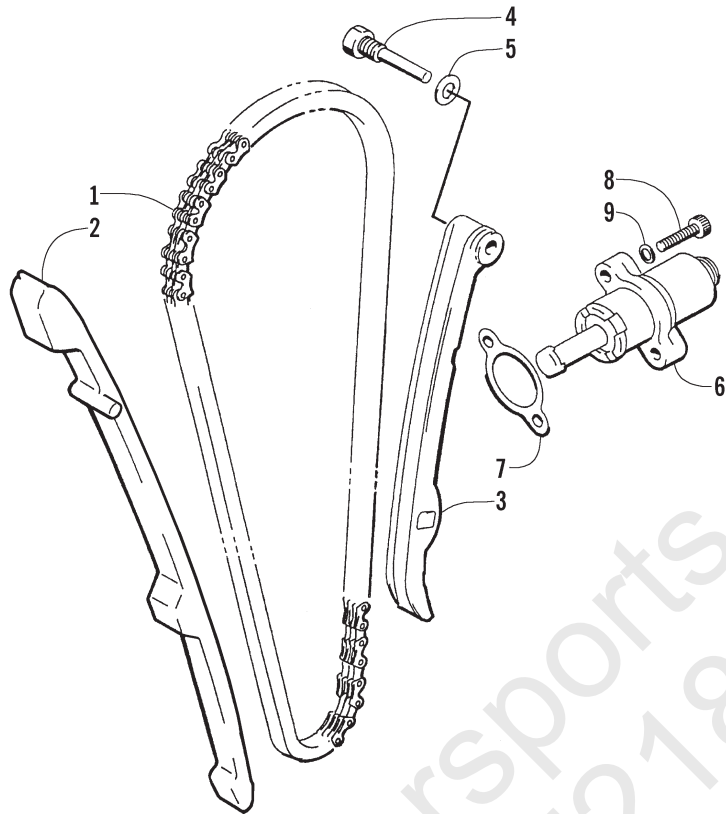
Ref.	Part No.	Qty.	Description	Ref.	Part No.	Qty.	Description
1	3402-126	1	Balancer, Crank	9	3423-107	1	Washer
2	3402-050	2	Bearing	10	3423-200	1	Circlip
3	3423-033	1	Washer	11	3402-150	1	Gear, Oil Pump Drive
4	3402-128	1	Gear, Driven	12	3423-114	1	Pin
5	3402-129	1	Race, Driven Gear Inner	13	3402-151	1	Spacer
6	3423-106	3	Pin	14	3423-025	1	Nut
7	3402-090	6	Spring	15	3423-029	1	Washer
8	3004-540	1	Key				



## CAM SHAFT VALVE ASSEMBLY

0732-307

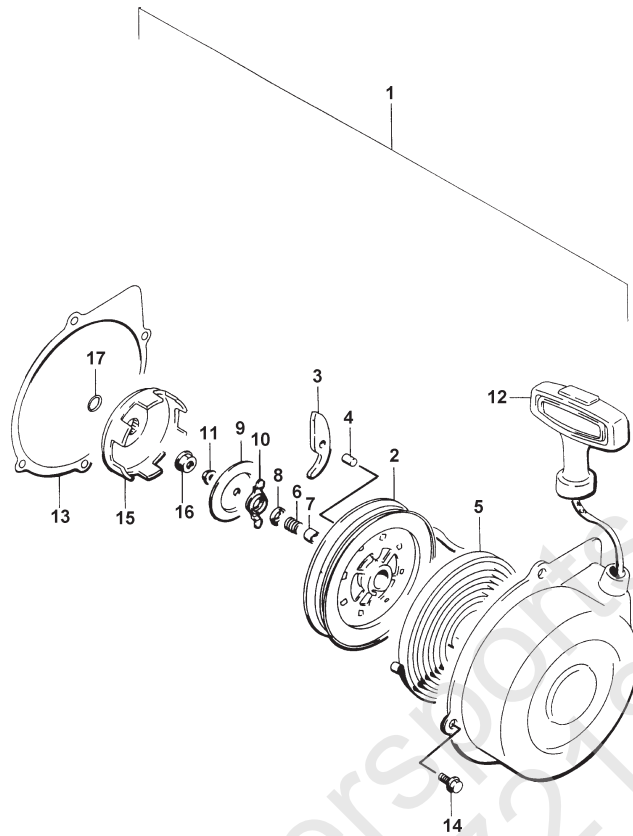
Ref.	Part No.	Qty.	Description	Ref.	Part No.	Qty.	Description
1	3402-130	1	Cam Shaft	12	3402-078	4	Seal, Oil
2	3402-131	1	Sprocket	13	3402-140	1	Shaft, Rocker Arm
3	3423-047	1	Pin	14	3402-141	1	Shaft, Rocker Arm
4	3423-073	1	Washer	15	3423-031	2	Washer
5	3423-013	2	Screw, Cap	16	3402-040	2	Plug, Shaft
6	3423-071	1	C-Ring	17	3402-012	2	Gasket
7	3402-138	1	Arm, Valve Rocker (inc. 8-9)	18	3402-142	2	Valve, Intake
8	3423-075	2	• Screw, Cap	19	3402-143	2	Valve, Exhaust
9	3423-076	2	• Nut	20	3402-144	4	Spring, Valve - Set
10	3402-139	1	Arm, Valve Rocker (inc. 8-9)	21	3402-146	4	Retainer, Spring
11	3402-148	4	Seat, Spring	22	3402-147	8	Cotter, Valve



### CAM CHAIN ASSEMBLY

0732-308

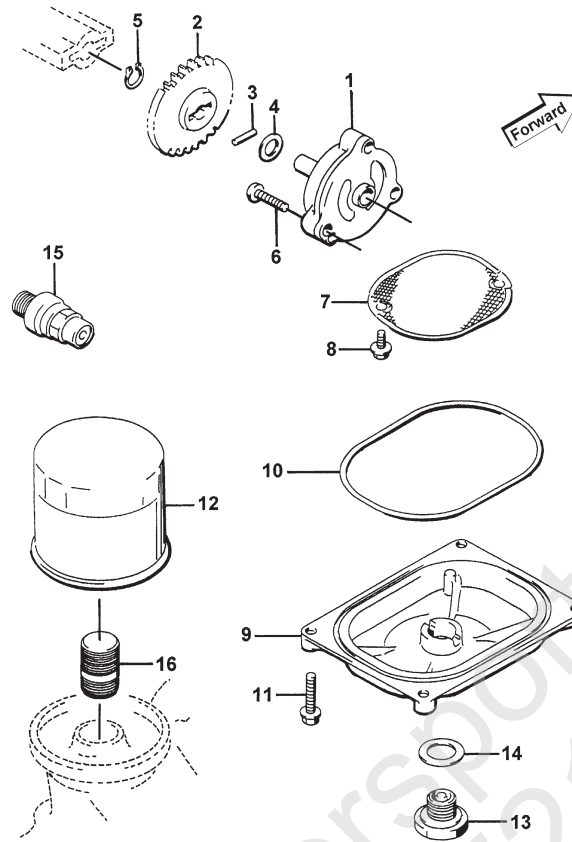
Ref.	Part No.	Qty.	Description	Ref.	Part No.	Qty.	Description
1	3402-133	1	Chain, Cam	6	3402-136	1	Adjuster, Tensioner - Assembly
2	3402-134	1	Guide, Chain	7	3402-137	1	Gasket
3	3402-135	1	Tensioner, Chain	8	3004-475	2	Screw, Cap
4	3423-074	1	Screw, Cap	9	3003-290	2	Gasket
5	3003-188	1	Washer				



## RECOIL STARTER ASSEMBLY

0732-309 \* Not a Service Part

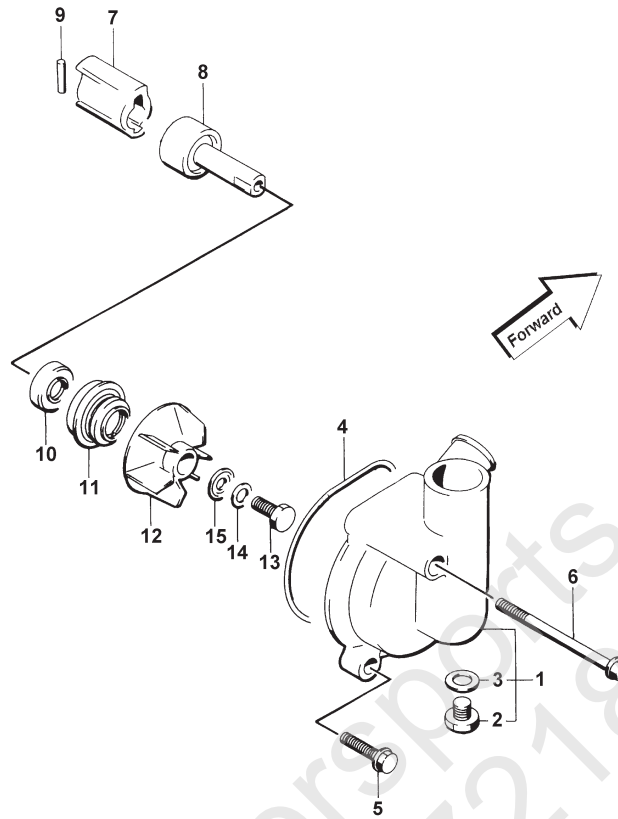
Ref.	Part No.	Qty.	Description	Ref.	Part No.	Qty.	Description
1	3445-003	1	Starter, Recoil - Assembly (inc. 2-12)	10	*	1	● Guide, Ratchet
2	3445-004	1	● Reel	11	3004-488	1	● Nut
3	3445-016	1	● Ratchet Assembly (inc. 4 and 6-10)	12	3445-011	1	● Rope - Assembly
4	*	1	● Pin, Ratchet	13	3445-013	1	Gasket
5	3445-007	1	● Spring, Spiral	14	3423-112	6	Screw, Cap
6	*	1	● Spring, Friction	15	3445-015	1	Cup, Starter
7	*	1	● Shaft	16	3004-491	1	Nut
8	*	1	● Cover, Spring	17	3423-053	1	O-Ring
9	*	1	● Plate, Friction				



## OIL FILTER/PUMP ASSEMBLY

0732-310 \* Engine Serial No. M403-100043 and later

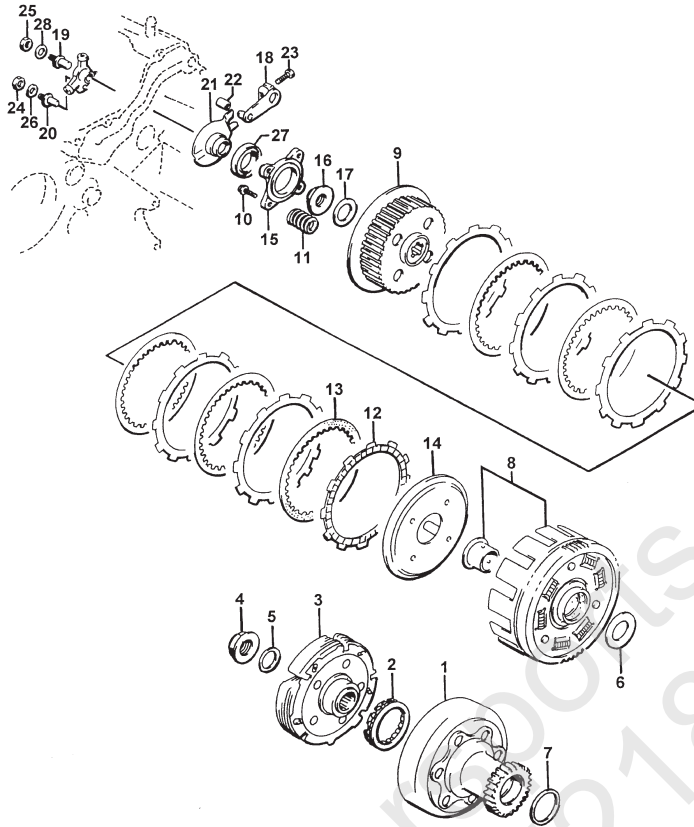
Ref.	Part No.	Qty.	Description	Ref.	Part No.	Qty.	Description
1	3402-153	1	Pump, Engine Oil	9	3402-157	1	Cap, Oil Strainer
2	3402-152	1	Gear, Driven	10	3423-077	1	O-Ring
3	3423-046	1	Pin	11	3004-756	4	Screw, Cap
4	3423-115	1	Washer	12	0436-001	1	Filter, Engine Oil
5	3423-184	1	Circlip	13	3402-036	1	Plug, Drain
6	3423-113	3	Screw, Cap	14	3402-012	1	Gasket
7	3402-156	1	Strainer, Engine Oil	15	3402-154	1	Valve, Oil Relief - Assembly
8	3423-118	2	Screw, Cap	16	3402-158	1	Union, Oil Filter
	0693-389	2	Screw, Cap*				



## WATER PUMP ASSEMBLY

0732-311

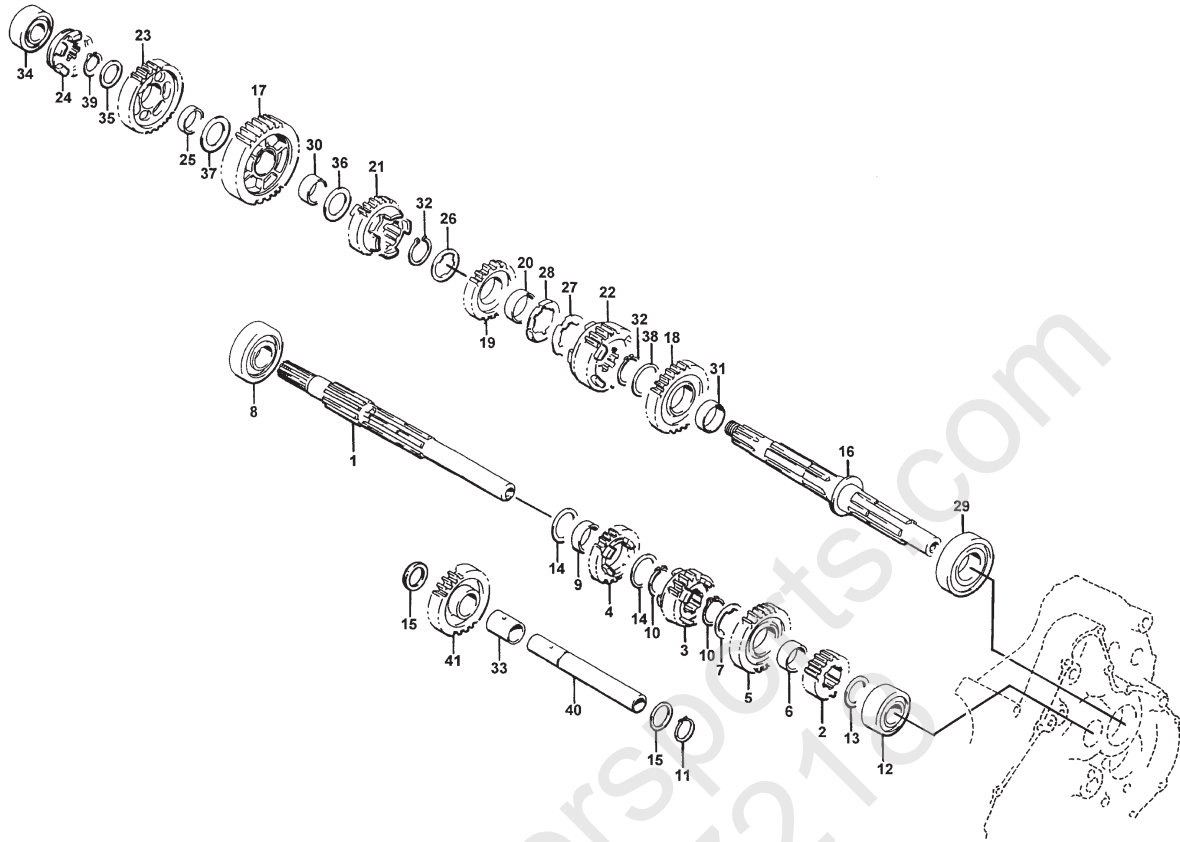
Ref.	Part No.	Qty.	Description	Ref.	Part No.	Qty.	Description
1	3402-159	1	Case, Water Pump (inc. 2-3)	9	3423-046	1	Pin
2	3423-185	1	• Screw, Cap	10	3003-356	1	Seal, Pump Drive
3	3003-188	1	• Gasket	11	3003-466	1	Seal, Mechanical
4	3423-078	1	O-Ring	12	3413-001	1	Impeller
5	3004-507	2	Screw, Cap	13	3003-426	1	Screw, Cap
6	3423-119	1	Screw, Cap	14	3003-431	1	Washer
7	3413-003	1	Joint, Pump Drive	15	3003-432	1	Gasket
8	3413-002	1	Shaft, Water Pump w/Bearing				



## CLUTCH ASSEMBLY

0732-312

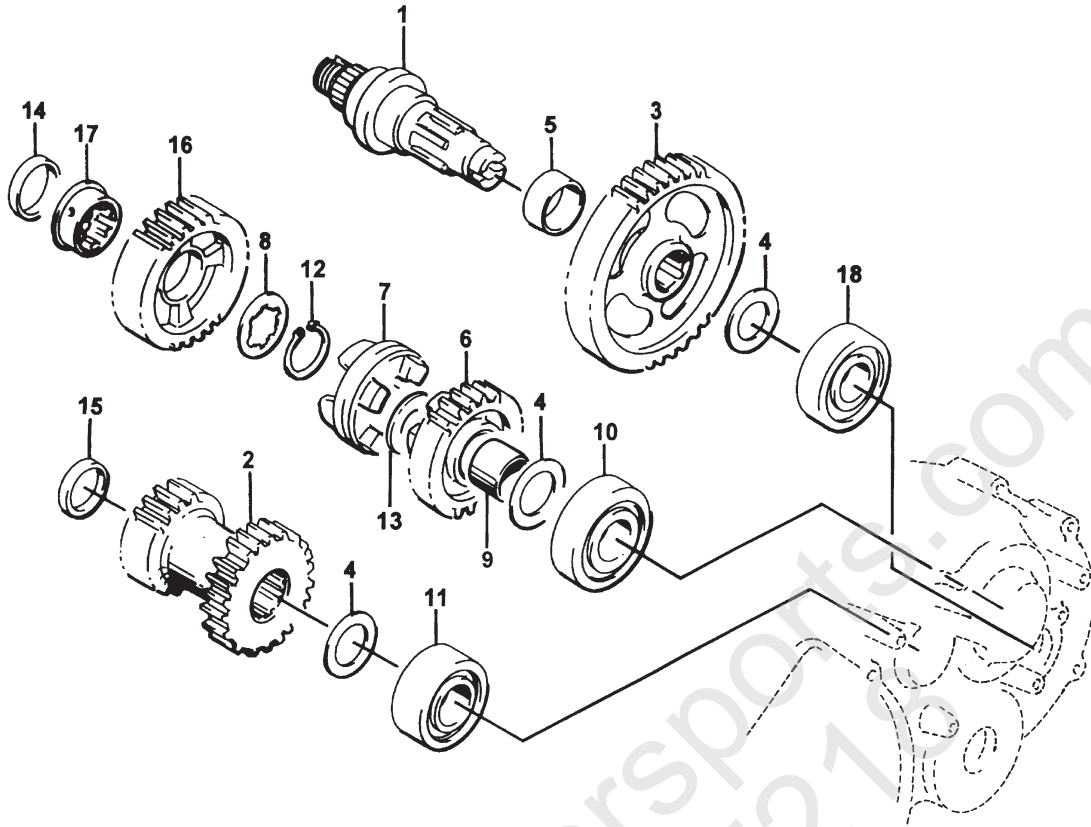
Ref.	Part No.	Qty.	Description	Ref.	Part No.	Qty.	Description
1	3446-001	1	Housing, Starter Clutch	15	3446-009	1	Plate, Clutch Release
2	3446-003	1	Clutch, Primary Drive One Way	16	3423-080	1	Nut, Clutch Sleeve Hub
3	3446-010	1	Shoe, Starter Clutch	17	3423-032	1	Washer, Sleeve Hub
4	3423-081	1	Nut, Starter Clutch Shoe	18	3446-011	1	Arm, Clutch Release
5	3423-032	1	Washer, Starter Shoe	19	3423-082	1	Bolt, Clutch (No. 1)
6	3423-122	1	Washer, Primary Driven	20	3423-083	2	Bolt, Clutch (No. 2)
7	3423-186	1	Washer, Primary Driven	21	3446-012	1	Guide, Release Roller
8	3446-002	1	Gear, Primary Driven - Assembly	22	3446-013	1	Roller, Clutch Release - Assembly
9	3446-004	1	Hub, Clutch Sleeve	23	3423-125	1	Bolt, Clutch Release Arm
10	3423-079	4	Screw, Cap, Clutch Spring	24	3008-014	1	Nut, Clutch Release (No. 2)
11	3446-005	4	Spring, Clutch	25	3423-022	1	Nut, Clutch Release (No. 1)
12	3446-006	6	Plate, Clutch Drive	26	3423-027	1	Washer, Clutch (No. 2)
13	3446-007	5	Plate, Clutch Driven	27	3402-186	1	Bearing, Clutch
14	3446-008	1	Disk, Clutch Pressure	28	3423-204	1	Washer, Clutch (No. 1)



## TRANSMISSION ASSEMBLY

0732-313

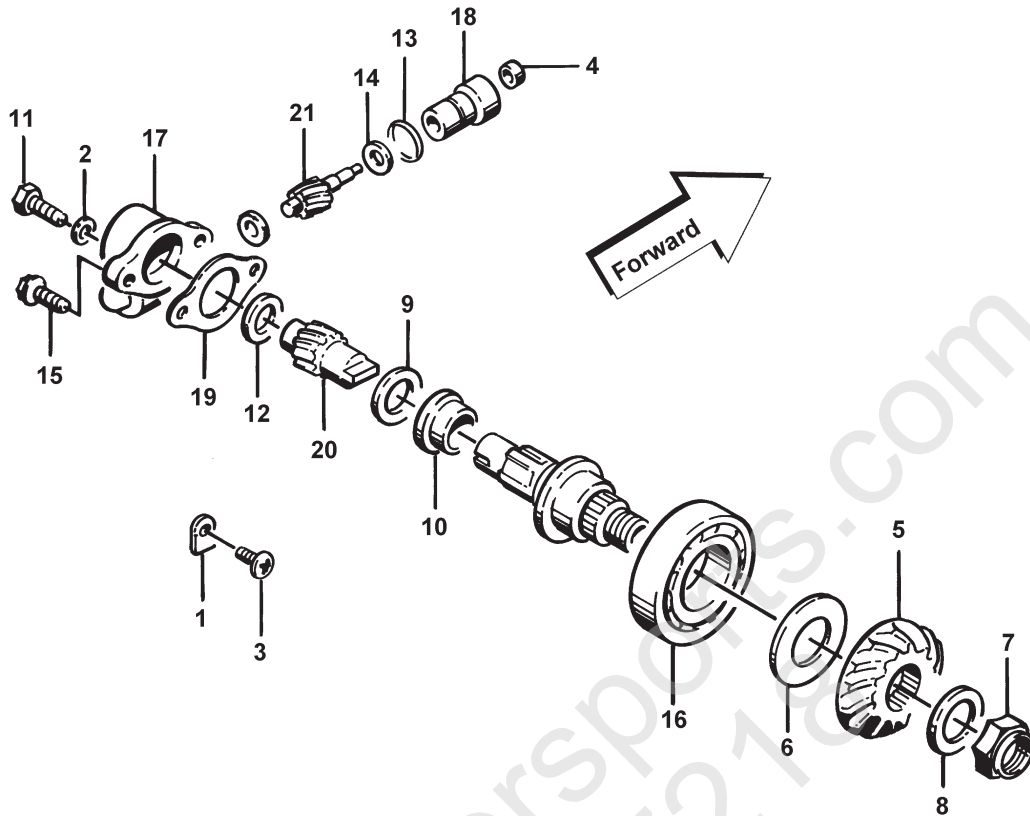
Ref.	Part No.	Qty.	Description	Ref.	Part No.	Qty.	Description
1	3446-014	1	Shaft, Counter	22	3446-026	1	Gear, 5th Driven
2	3446-016	1	Gear, 2nd Drive	23	3446-029	1	Gear, Reverse Driven
3	3446-017	1	Gear, 3rd Drive	24	3446-030	1	Dog, Reverse
4	3446-018	1	Gear, 4th Drive	25	3446-032	1	Bushing, Reverse Driven
5	3446-019	1	Gear, 5th Drive	26	3423-038	1	Washer, 3rd Driven - Right
6	3446-020	1	Bushing, 5th Drive Gear	27	3423-039	1	Washer, 3rd Driven - Left
7	3423-037	1	Washer, 5th Drive Gear	28	3423-040	1	Washer, 3rd Driven - Left
8	3402-049	1	Bearing, Center Shaft - Right	29	3402-053	1	Bearing, Driveshaft
9	3402-081	1	Bushing, 4th Drive Gear	30	3402-080	1	Bushing, 1st Driven
10	3423-066	2	Circlip, 4th Drive	31	3402-082	1	Bushing, 2nd Driven
11	3423-190	1	Circlip, Reverse Idle	32	3423-188	2	Circlip, 2nd Driven
12	3402-179	1	Bearing, Center Shaft	33	3402-079	1	Bushing, Reverse Idle
13	3423-126	1	Washer, 2nd Drive	34	3003-320	1	Bearing, Driveshaft - Right
14	3423-187	2	Washer, 4th Drive	35	3423-129	1	Washer, Reverse Driven
15	3423-126	2	Washer, Reverse Idle	36	3423-130	1	Washer, 1st Driven - Left
16	3446-015	1	Shaft, Drive	37	3423-131	1	Washer, 1st Driven - Right
17	3446-021	1	Gear, 1st Driven	38	3003-605	1	Washer, 2nd Driven
18	3446-022	1	Gear, 2nd Driven	39	3423-189	1	Circlip, Reverse Driven
19	3446-023	1	Gear, 3rd Driven	40	3446-027	1	Shaft, Reverse Idle
20	3446-024	1	Bushing, 3rd Driven	41	3446-028	1	Gear, Reverse Idle
21	3446-025	1	Gear, 4th Driven				



## SECONDARY TRANSMISSION ASSEMBLY

0732-314

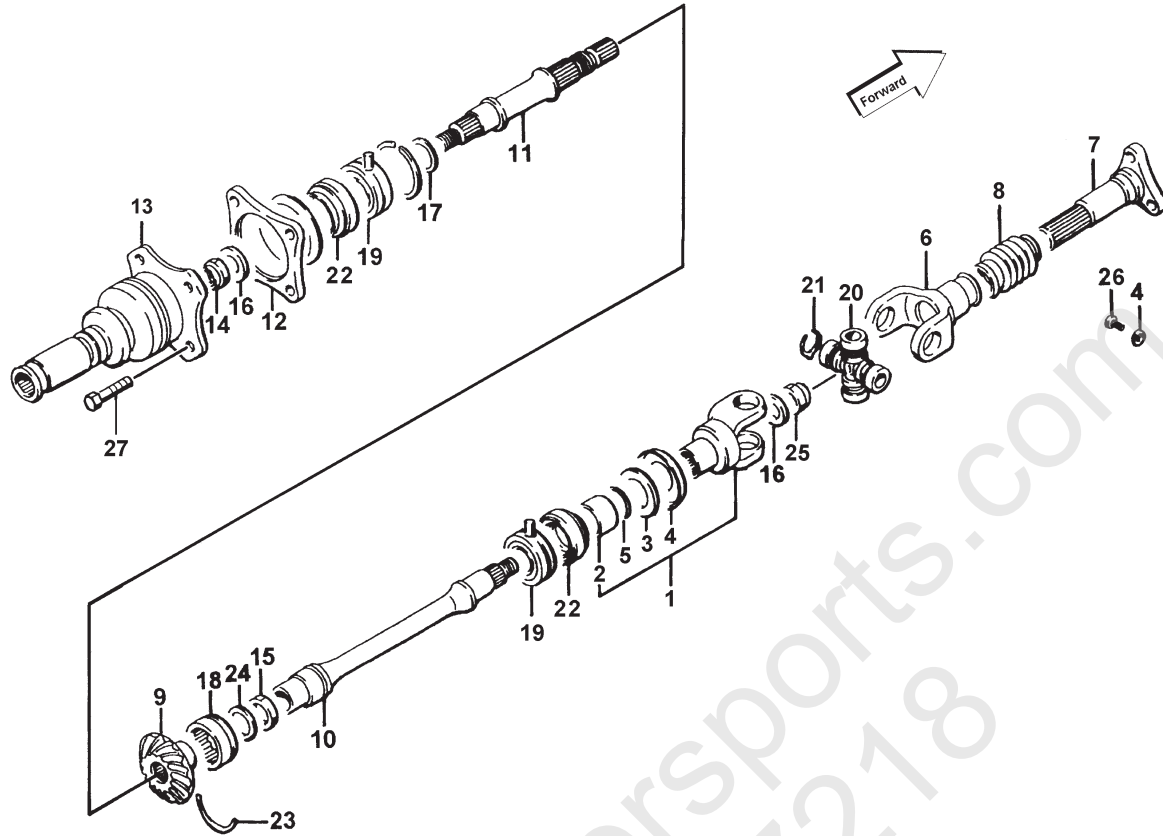
Ref.	Part No.	Qty.	Description	Ref.	Part No.	Qty.	Description
1	3446-065	1	Shaft, Output	10	3402-046	1	Bearing, Driveshaft - Left
2	3446-066	1	Gear, Idle	11	3402-047	1	Bearing, Center Shaft - Left
3	3446-072	1	Gear, Driven	12	3423-066	1	Circlip, (No. 1)
4	3423-150	3	Washer	13	3423-126	1	Washer, Gear (No. 2)
5	3402-015	1	Spacer	14	3446-068	1	Spacer
6	3446-070	1	Gear, (No. 2)	15	3423-148	1	Spacer, Idle Gear
7	3446-108	1	Dog, Select Sliding	16	3446-067	1	Gear, (No. 1)
8	3423-036	1	Washer	17	3446-069	1	Spacer, Drive
9	3446-103	1	Bushing	18	3402-045	1	Bearing Set - Left



## SPEEDOMETER DRIVE ASSEMBLY

0732-459

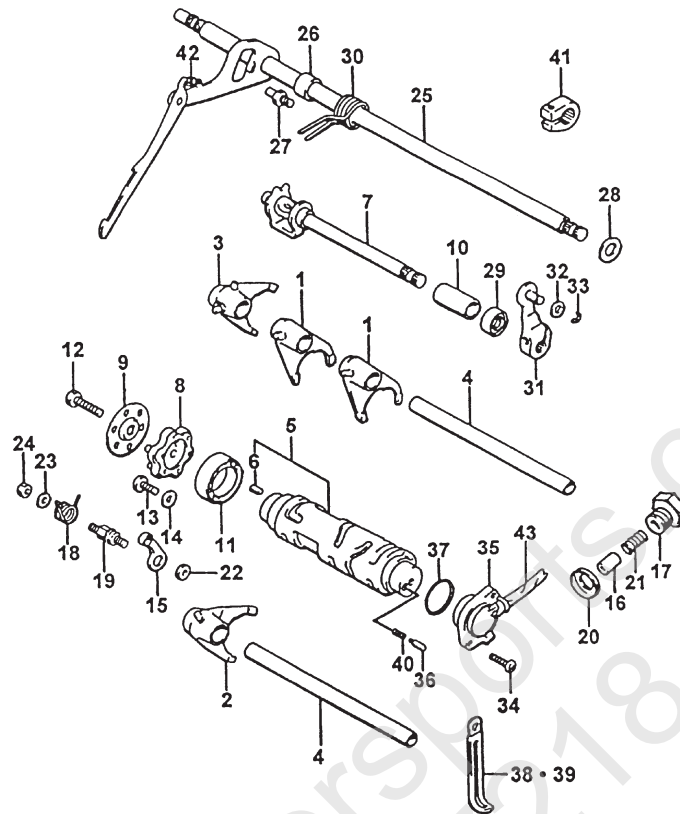
Ref.	Part No.	Qty.	Description	Ref.	Part No.	Qty.	Description
1	3446-031	2	Retainer, Bearing	12	3423-145	1	Washer
2	3402-009	1	Washer, Driven	13	3423-056	1	O-Ring
3	3004-552	2	Screw, Retainer	14	3423-144	1	Washer
4	3402-077	1	Seal, Driven Gear	15	3004-507	2	Bolt, Gear
5	3446-033	1	Gear	16	3402-055	1	Bearing Set - Right
6	3446-035	1	Shim Set	17	3446-057	1	Housing, Odometer Gear (inc. 18-21)
7	3423-023	1	Nut	18	3446-058	1	Sleeve
8	3423-051	1	Washer	19	3446-059	1	Gasket
9	3423-146	1	Washer - Right	20	3446-060	1	Gear, Drive
10	3446-062	1	Spacer, Driven Gear	21	3446-061	1	Gear, Driven
11	3423-143	1	Bolt, Gear				



## SECONDARY DRIVE ASSEMBLY

0732-315

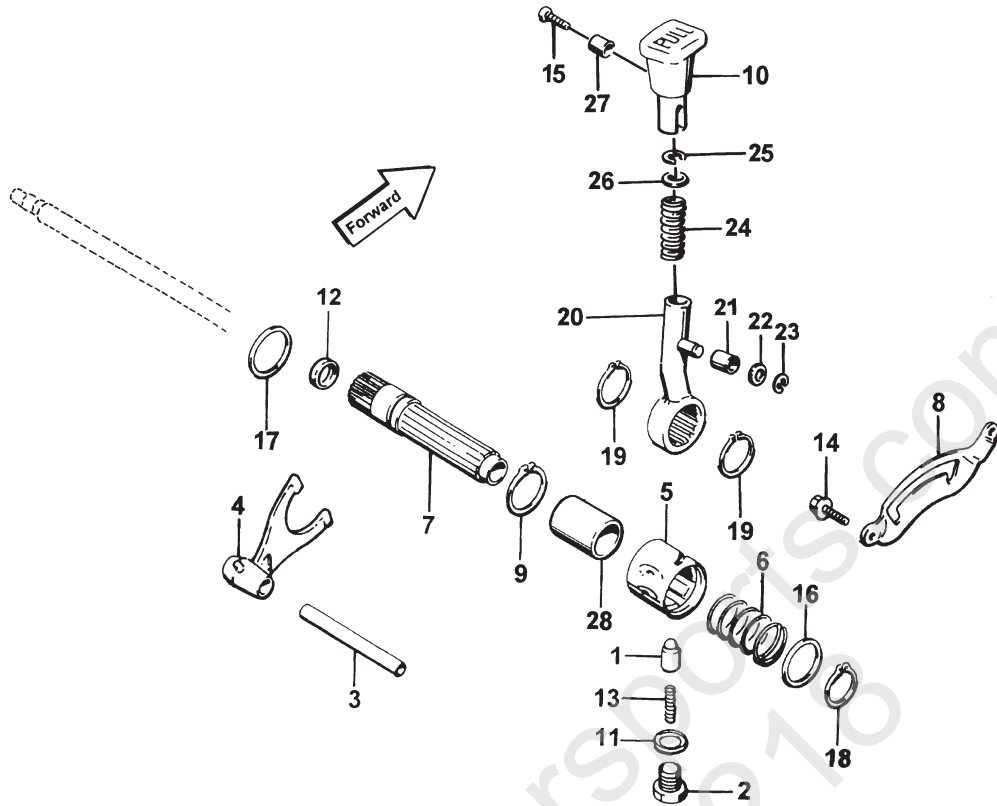
Ref.	Part No.	Qty.	Description	Ref.	Part No.	Qty.	Description
1	3435-001	1	Yoke, Drive Output (inc. 2-5)	18	3402-062	1	Bearing w/Groove
2	3435-029	1	• Collar, Yoke	19	3402-067	2	Bearing w/ Locating Ring and Pin
3	3435-030	1	• Plate, Yoke Collar	20	3435-011	1	Joint Set, Universal (inc. 21)
4	3423-035	1	• Plate, Yoke Collar	21	3423-067	4	• Circlip
5	3423-060	1	• O-Ring, Yoke Collar	22	3402-072	2	Seal, Oil
6	3435-002	1	Yoke, Joint	23	3423-072	1	Ring, Bearing
7	3435-004	1	Shaft, Propeller	24	3423-137	1	Washer
8	3435-005	1	Boot, Propeller Shaft	25	3423-025	1	Nut
9	3446-034	1	Gear	26	3004-552	1	Screw, Cap
10	3446-036	1	Shaft - Front				
11	3446-037	1	Shaft - Rear				
12	3435-003	1	Flange, Output Joint				
13	3435-010	1	Joint Assembly, Rear Output				
14	3423-178	1	Nut, Front Drive Bevel Gear				
15	3423-136	1	Nut				
16	3423-028	2	Washer, Rear Output Flange				
17	3402-017	1	Shim, 25 x 34 x 0.6 mm				
	3402-018	1	Shim, 25 x 34 x 0.65 mm				
	3402-019	1	Shim, 25 x 34 x 0.700 mm				
	3402-020	1	Shim, 25 x 34 x 0.75 mm				
	3402-021	1	Shim, 25 x 34 x 0.80 mm				
	3402-022	1	Shim, 25 x 34 x 0.85 mm				
	3402-023	1	Shim, 25 x 34 x 0.90 mm				
	3402-024	1	Shim, 25 x 34 x 0.95 mm				
	3402-025	1	Shim, 25 x 34 x 1 mm				
	3402-028	1	Shim, 25 x 34 x 1.05 mm				
	3402-029	1	Shim, 25 x 34 x 1.10 mm				
	3402-030	1	Shim, 25 x 34 x 1.15 mm				
	3402-031	1	Shim, 25 x 34 x 1.20 mm				



## GEAR SHIFTING ASSEMBLY

0732-316

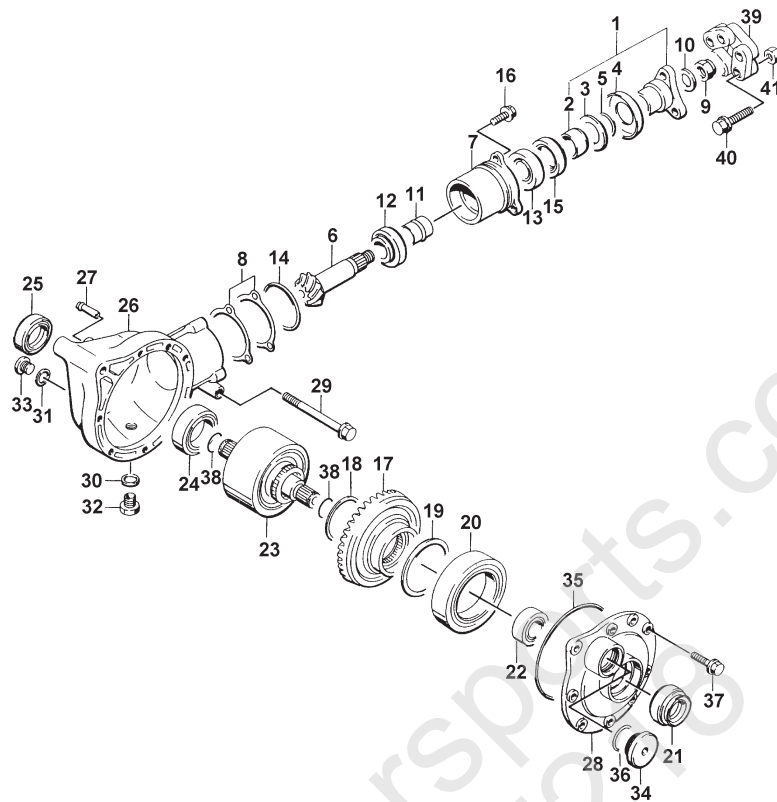
Ref.	Part No.	Qty.	Description	Ref.	Part No.	Qty.	Description
1	3446-038	2	Fork, (No. 2)	23	3423-142	1	Washer, Cam Stopper Arm
2	3446-039	1	Fork, (No. 3)	24	3004-488	1	Nut, Cam Stopper Arm Support
3	3446-040	1	Fork, Reverse	25	3446-053	1	Shaft, Gear Shift
4	3446-052	2	Shaft, Gear Shift Fork	26	3446-054	1	Spacer, Gear Shift Shaft
5	3446-041	1	Cam, Gear Shift (inc. 6)	27	3446-056	1	Stopper, Gear Shift Arm
6	3423-114	1	• Pin, Gear Shift	28	3402-068	1	Seal, Gear Shift Shaft Oil
7	3446-042	1	Cam, Reverse Shift	29	3402-076	1	Seal, Reverse Shift Oil
8	3446-049	1	Plate, Gear Shift Cam	30	3402-094	1	Spring, Gear Shift Return
9	3446-050	1	Guide, Gear Shift Cam Plate	31	3446-055	1	Arm, Reverse Gear Shift
10	3402-014	1	Spacer, Reverse Shift Cam	32	3423-204	1	Washer, Gear Shift Cable Arm
11	3402-051	1	Bearing, Gear Shift Cam	33	3423-168	1	E Ring, Gear Shift Cable Arm
12	3423-125	1	Bolt, Clutch Release Arm	34	3423-166	2	Screw, Cap
13	3004-552	2	Screw, Cam Bearing Retainer	35	3530-007	1	Base Assembly
14	3423-135	2	Retainer, Bearing	36	3423-044	1	Contact, Neutral
15	3446-043	1	Stopper, Gear Shift Cam	37	3423-059	1	O-Ring, Neutral
16	3446-044	1	Stopper, Reverse Shift Cam	38	3004-787	1	Clamp
17	3446-046	1	Housing, Reverse Cam Stopper	39	3004-761	1	Clamp
18	3446-047	1	Spring, Shift Cam Stopper Arm	40	3402-087	1	Spring
19	3446-048	1	Support, Shift Cam Stopper	41	3402-008	1	Hub, Gear Shift
20	3402-012	1	Gasket, Cam Stopper Housing	42	3402-093	1	Spring, Gear Shift
21	3402-088	1	Spring, Reverse Cam Stopper	43	0706-990	AR	Tape, Foil
22	3423-141	1	Washer, Gear Shift Cam				



## HI/LOW SHIFTER ASSEMBLY

0732-317

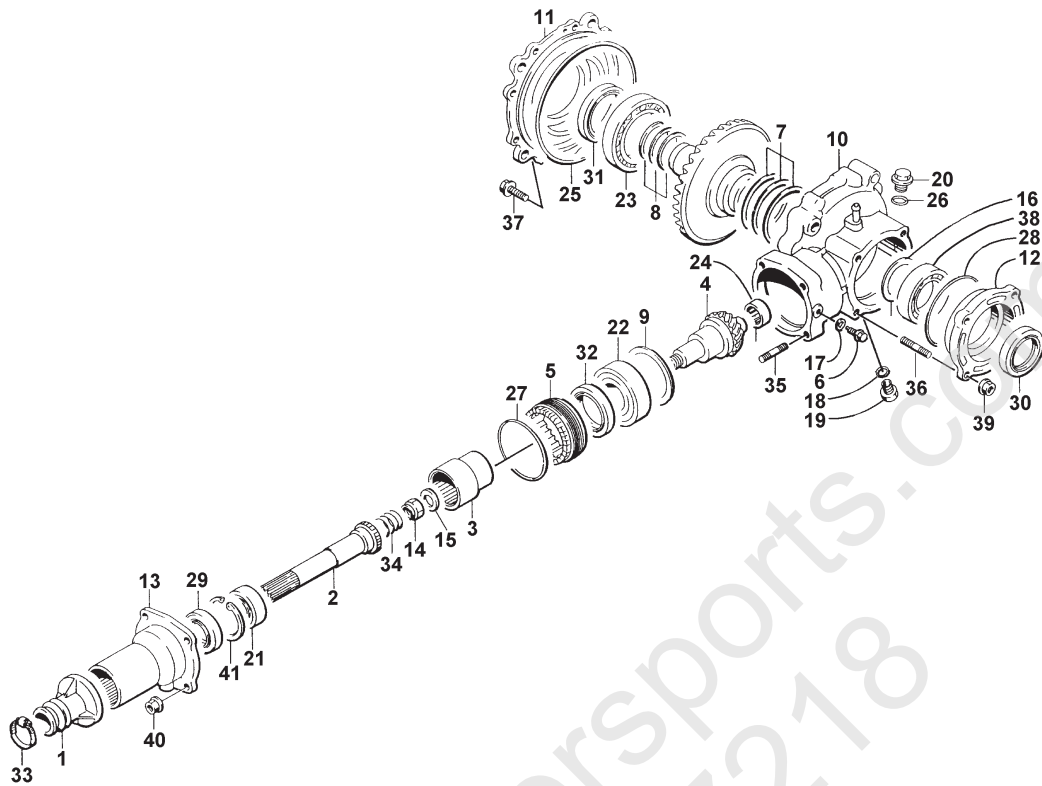
Ref.	Part No.	Qty.	Description	Ref.	Part No.	Qty.	Description
1	3446-045	1	Stopper, Driven Gear	15	3423-156	1	Screw, Shift Knob
2	3446-046	1	Housing, Shift Stop	16	3423-157	1	Washer, Cam Stop
3	3446-051	1	Shaft, Fork	17	3423-158	1	Washer, Shaft - Left
4	3446-073	1	Fork, Shift	18	3423-191	1	Circlip, Cam Spring
5	3446-074	1	Cam, Shift	19	3423-192	2	Circlip, Shift Lever
6	3446-075	1	Spring	20	3446-079	1	Lever, Shift - Assembly (inc. 21-26)
7	3446-076	1	Shaft, Shift	21	3446-106	1	• Collar
8	3446-077	1	Plate, Lever Stop	22	3423-152	1	• Washer
9	3423-193	1	Circlip, Shaft - Left	23	3423-153	1	• E-Clip
10	3446-078	1	Knob	24	3402-091	1	• Spring
11	3402-012	1	Gasket, Cam Stop	25	3423-154	1	• Circlip
12	3402-071	1	Seal, Oil	26	3423-155	1	• Washer
13	3446-113	1	Spring	27	3402-191	1	Spacer
14	3004-377	2	Bolt, Stopper Plate	28	3446-112	1	Spacer Set



## FRONT BEVEL GEAR ASSEMBLY

0732-318

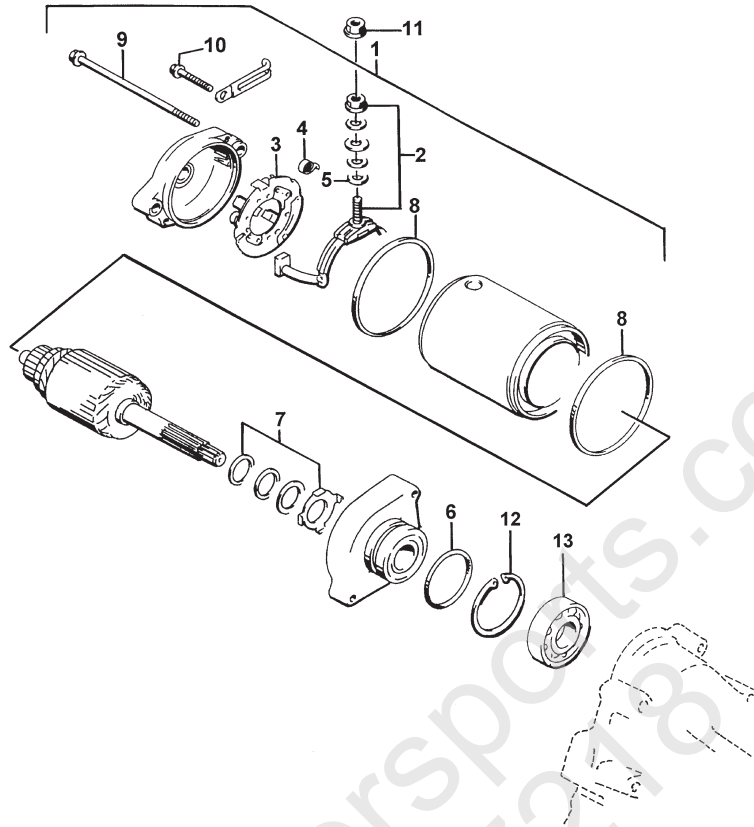
Ref.	Part No.	Qty.	Description	Ref.	Part No.	Qty.	Description
1	3435-009	1	Flange, Gear (inc. 2-5)	22	3402-185	1	Bearing - Left
2	3435-029	1	• Collar, Gear	23	3435-013	1	Differential - Assembly
3	3435-030	1	• Plate, Oil Seal	24	3402-057	1	Bearing, Differential Case - Right
4	3423-034	1	• Plate, Gear	25	3402-072	1	Seal, Output Oil
5	3423-060	1	• O-Ring, Collar	26	3435-024	1	Housing (inc. 27)
6	3435-014	1	Gear, Bevel	27	3402-084	1	• Union, Breather
7	3435-021	1	Housing, Bevel Gear	28	3435-025	1	Case, Bearing
8	3435-022	1	Shim Set, Housing	29	3423-010	2	Bolt, Mounting
9	3423-178	1	Nut, Gear	30	3402-012	1	Gasket, Oil Drain Plug
10	3423-028	1	Washer, Bevel Gear	31	3402-013	1	Gasket, Oil Filler Plug
11	3402-016	1	Spacer, Bevel Gear	32	3402-036	1	Plug, Oil Drain
12	3402-066	1	Bearing	33	3402-041	1	Plug, Oil Filler
13	3402-065	1	Bearing	34	3402-197	1	Plug
14	3423-064	1	O-Ring	35	3423-050	1	O-Ring
15	3402-072	1	Seal, Joint	36	3423-061	1	O-Ring
16	3423-175	1	Bolt, Housing	37	3423-175	8	Screw, Cap
17	3435-018	1	Gear	38	3423-070	2	Ring, Driveshaft - Front
18	3435-017	1	Shim Set	39	3435-007	1	Coupling, Propeller Shaft
19	3435-020	1	Shim Set	40	3423-182	6	Screw, Cap
20	3402-059	1	Bearing	41	3004-491	6	Nut
21	3402-072	1	Seal - Left				



## REAR BEVEL GEAR ASSEMBLY

0732-319

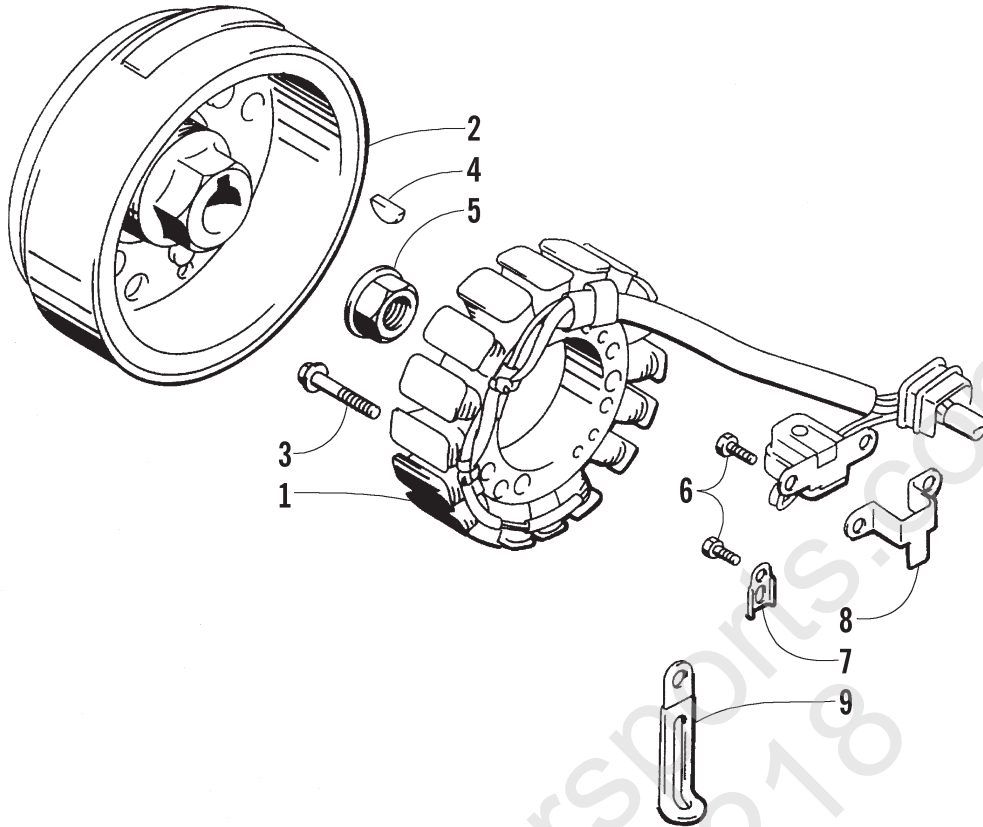
Ref.	Part No.	Qty.	Description	Ref.	Part No.	Qty.	Description
1	3435-051	1	Boot, Final Drive	22	3402-056	1	Bearing
2	3435-006	1	Shaft, Rear Final	23	3402-059	1	Bearing - Right
3	3435-008	1	Coupling, Rear	24	3402-061	1	Bearing, Final Drive Pilot
4	3435-012	1	Gear Set	25	3423-173	1	O-Ring, Bearing Case - Right
5	3435-015	1	Stopper, Rear Final	26	3423-057	1	O-Ring, Gear Oil Filler
6	3435-016	1	Pin, Bearing Stopper	27	3423-065	1	O-Ring, Final Bearing Stopper
7	3435-019	1	Shim Set	28	3003-335	1	O-Ring, Bearing Case - Left
8	3435-020	1	Shim Set	29	3435-048	1	Seal, Final Driven
9	3435-065	1	Shim Set	30	3402-073	1	Seal, Oil
10	3435-023	1	Case	31	3402-074	1	Seal, Oil
11	3435-026	1	Case - Right	32	3402-075	1	Seal, Oil
12	3435-027	1	Case - Left	33	3004-786	1	Clamp - Right
13	3435-028	1	Housing	34	3402-092	1	Spring
14	3423-025	1	Nut, Rear Drive Pinion	35	3004-279	4	Stud, Bolt
15	3423-029	1	Washer, Drive Nut	36	3004-301	2	Stud, Bolt - Left
16	3423-171	1	Washer - Left	37	3423-175	9	Bolt, Bearing - Right
17	3003-290	1	Gasket, Bearing Stopper Pin	38	3402-187	1	Bearing - Left
18	3402-012	1	Gasket, Oil Drain Plug	39	3004-326	2	Nut
19	3402-036	1	Plug, Oil Drain	40	3423-206	4	Nut, Rear Final Housing
20	3402-039	1	Plug, Gear Oil Filler	41	3423-194	1	Circlip Set
21	3402-052	1	Bearing				



## STARTER MOTOR ASSEMBLY

0732-320

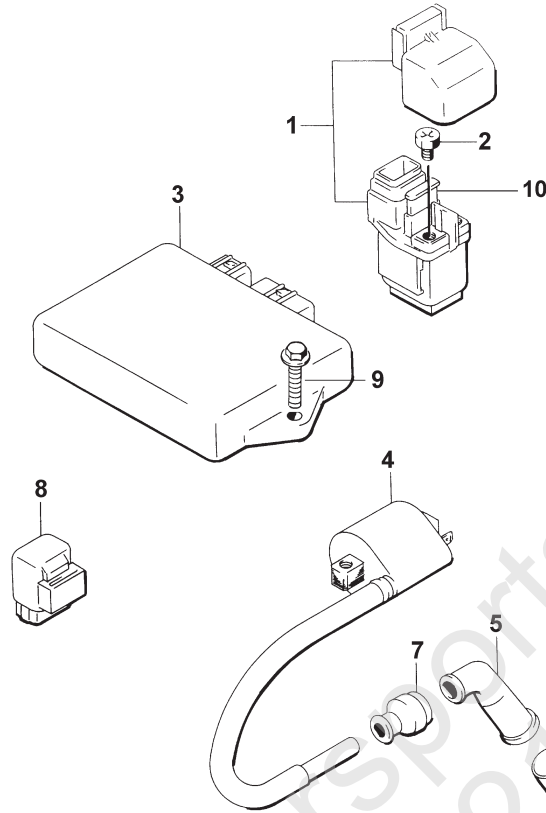
Ref.	Part No.	Qty.	Description	Ref.	Part No.	Qty.	Description
1	3545-001	1	Motor, Starter Assembly (inc. 2-9)	8	3008-101	2	• O-Ring
2	3008-094	1	• Terminal Set, Brush	9	3423-085	2	• Screw, Cap
3	3008-095	1	• Holder Set, Brush	10	3423-162	2	Screw, Cap
4	3008-096	4	• Spring, Brush	11	3423-195	1	Nut
5	3008-164	1	• O-Ring	12	3423-201	1	Circlip
6	3423-084	1	• O-Ring	13	3402-043	1	Bearing, Pinion Shaft
7	3436-001	1	• Washer Set				



## MAGNETO ASSEMBLY

0732-321

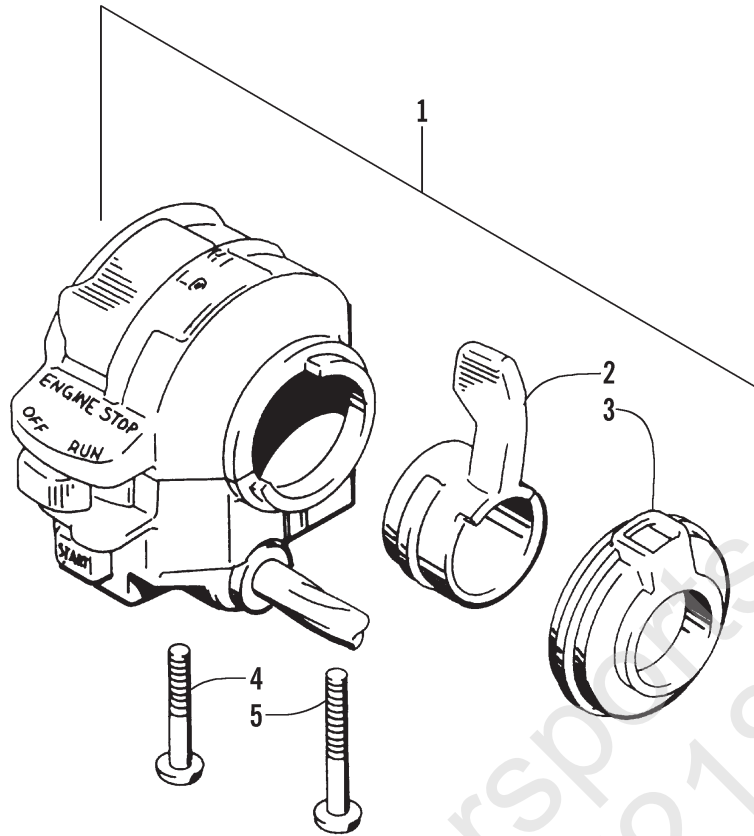
Ref.	Part No.	Qty.	Description	Ref.	Part No.	Qty.	Description
1	3430-011	1	Stator - Assembly	6	3423-005	3	Screw, Cap
2	3430-012	1	Rotor	7	3430-005	1	Clamp, Magneto (No. 1)
3	3423-162	3	Bolt, Magneto	8	3430-006	1	Clamp, Magneto (No. 2)
4	0691-785	1	Key, Magneto	9	3004-761	1	Clamp, Magneto (No. 3)
5	3423-086	1	Nut, Magneto				



## ELECTRICAL COMPONENTS ASSEMBLY

0732-322

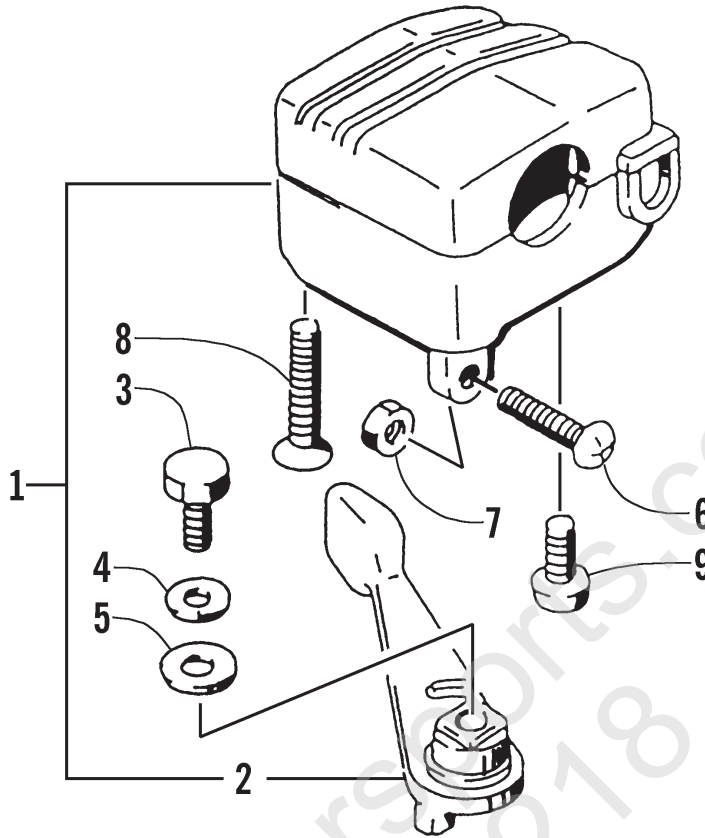
Ref.	Part No.	Qty.	Description	Ref.	Part No.	Qty.	Description
1	3530-001	1	Relay, Starter Motor - Assembly	6	3430-008	1	Seal, Spark Plug
2	3423-020	2	Screw, Cap	7	3430-009	1	Seal, High Tension Cord
3	3530-003	1	CDI Unit	8	3530-008	1	Relay, Neutral Start - Assembly
4	3530-004	1	Coil, Ignition - Assembly	9	8408-616	2	Screw, Cap
5	3430-007	1	Cap, Spark Plug				



## CONTROL SWITCH HOUSING ASSEMBLY

0732-323

Ref.	Part No.	Qty.	Description	Ref.	Part No.	Qty.	Description
1	3509-001	1	Switch, Handle - Assembly (inc. 2-5)	4	3423-196	1	• Screw, Cap
2	3409-009	1	• Lever, Choke	5	3423-197	1	• Screw, Cap
3	3409-010	1	• Cover, Choke				



## THROTTLE CASE ASSEMBLY

0732-324

Ref.	Part No.	Qty.	Description	Ref.	Part No.	Qty.	Description
1	3509-002	1	Case, Throttle - Assembly (inc. 2-9)	6	3423-014	1	• Screw, Cap
2	3409-001	1	• Lever	7	3423-198	1	• Nut
3	3004-533	1	• Screw, Cap	8	3423-199	2	• Screw, Cap
4	3004-447	1	• Washer, Lock	9	3004-638	1	• Screw, Cap
5	3003-030	1	• Washer				

# Related Items

Model No. 97A4A & 97 A4B

0436-013	Bag, Rack Utility - Front	0436-008	Mounting Plate with Tow Loops
0436-012	Bag, Rack Utility - Rear	0436-052	Plow Mounting Kit, Winch Lift
0436-025	Blade, 48 in. Plow	0436-053	Plow Mounting Kit, Mechanical Lift
0436-010	Cover, Black and Green	0217-708	Plug, Spark - CR7E
0436-011	Cover, Camouflage	0436-040	Portable Light, Spot
0436-047	Cover, Padded Bar - Black	0436-039	Portable Light, Work
0436-046	Cover, Padded Bar - Green	0436-014	Safety Flag
0436-035	Engine Block Heater	0436-032	Tie Down, Black
3402-107	Gasket Set	0436-031	Tie Down, Green
0436-023	Gun Scabbard	0436-041	Tire Repair, Standard
2255-731	Manual, Illustrated Parts	0436-042	Tire Repair, Deluxe
2255-520	Manual, Operator's	0436-045	Tire Sealant
2255-576	Manual, Service	0436-034	Tool Holder
2255-580	Microfiche, Parts	0436-024	Winch Kit
0436-050	Mounting Bracket, Gun Scabbard	0436-068	Winch Accessories Kit
0436-051	Mounting Bracket, Portable Lights		

